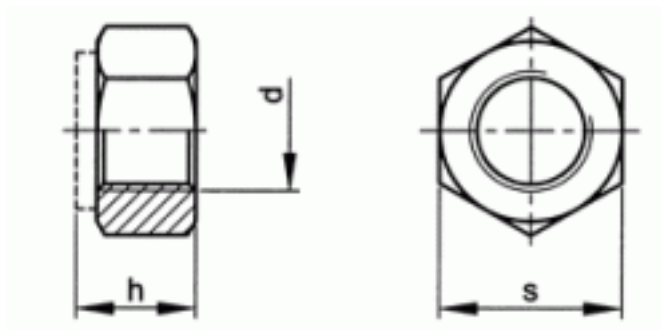


12300180001

D985 |5| ZPL HX LCKNT/INS SP M18



Brand	-
UBB Code	950355116589
UNSPSC Code	31161727
EAN Code	8715492576910
Driving features	hexagon
Thread	Metric thread
Class	≥ 5
Material	Steel
Surface treatment	Zinc plated



s	27
h	18,5
P	2,5
d	M18
Packaging (Piece)	50.0



Copyright Fabory Group