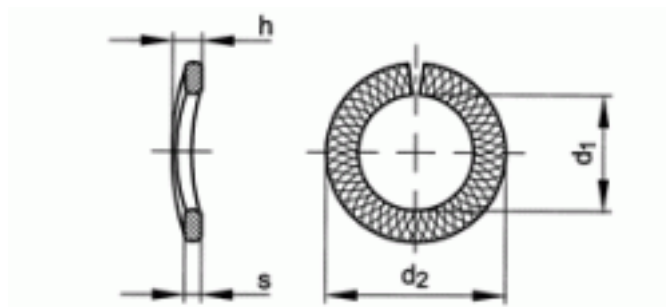


37070160001

~D128A ST YLP SPR WASH VSK M16



Brand	-
UBB Code	950357142526
UNSPSC Code	31161811
EAN Code	8715492765581
Surface treatment	Mechanical zinc plated yellow passivated
Material technical	DIN267-26
Material	Spring steel



For nom. size	M16
Packaging (Piece )	100.0



Copyright Fabory Group