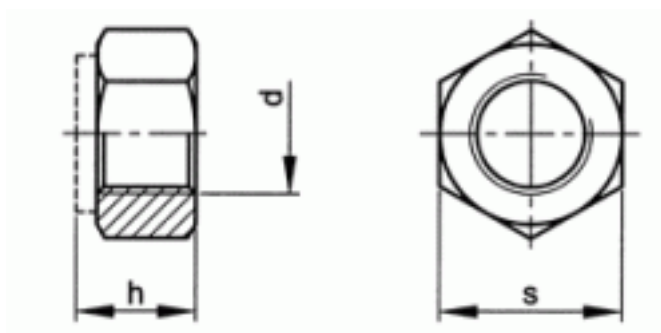


12410120001

D985 |10| ZPL HX LCKNT/INS M12



Brand	-
UBB Code	950355542941
UNSPSC Code	31161727
EAN Code	8715492578525
Driving features	hexagon
Thread	Metric thread
Class	10
Material	Steel
Surface treatment	Zinc plated



s	19
h	12
P	1,75
d	M12
Packaging (Piece )	100.0



Copyright Fabory Group