

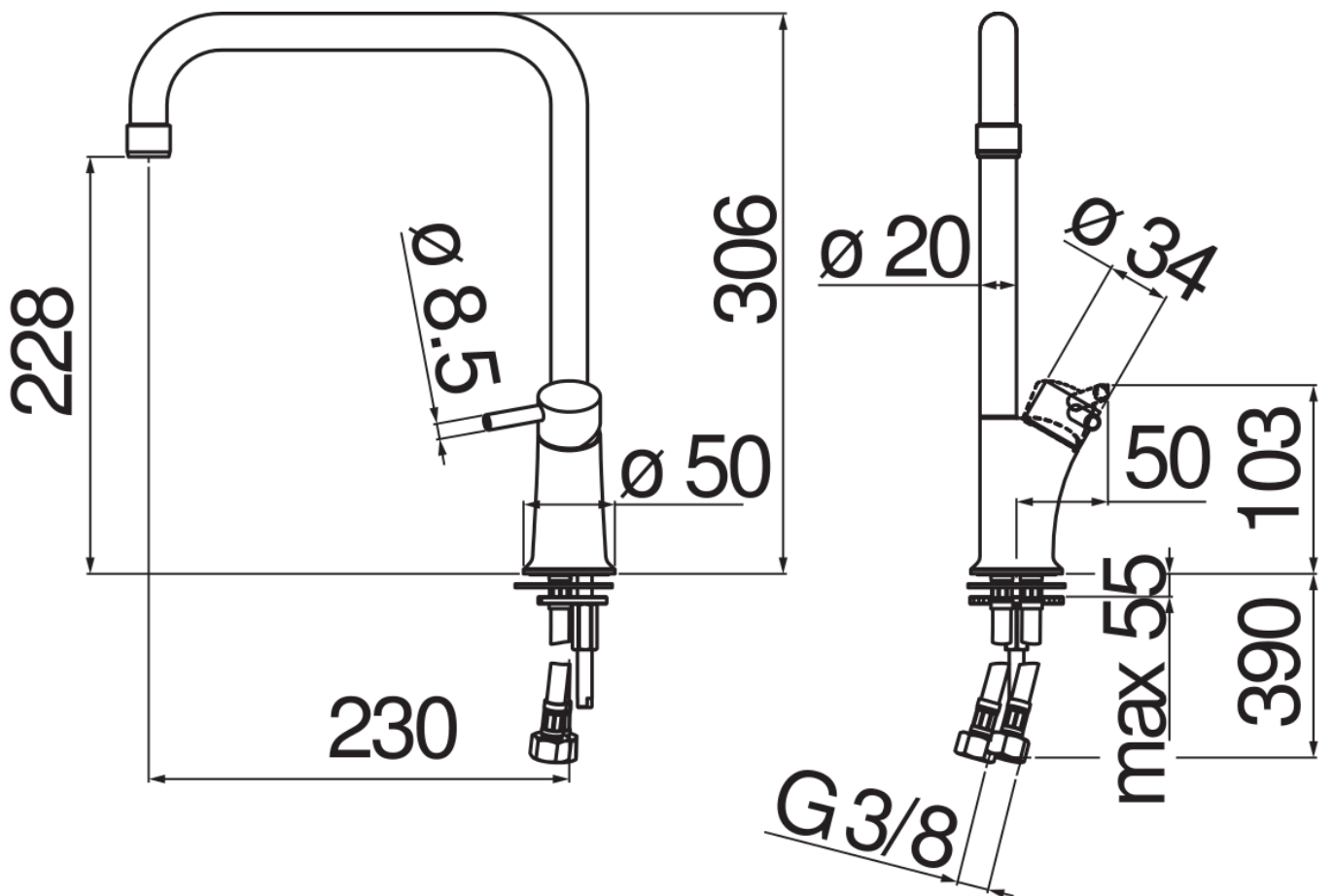


#### SPECIFICATIONS

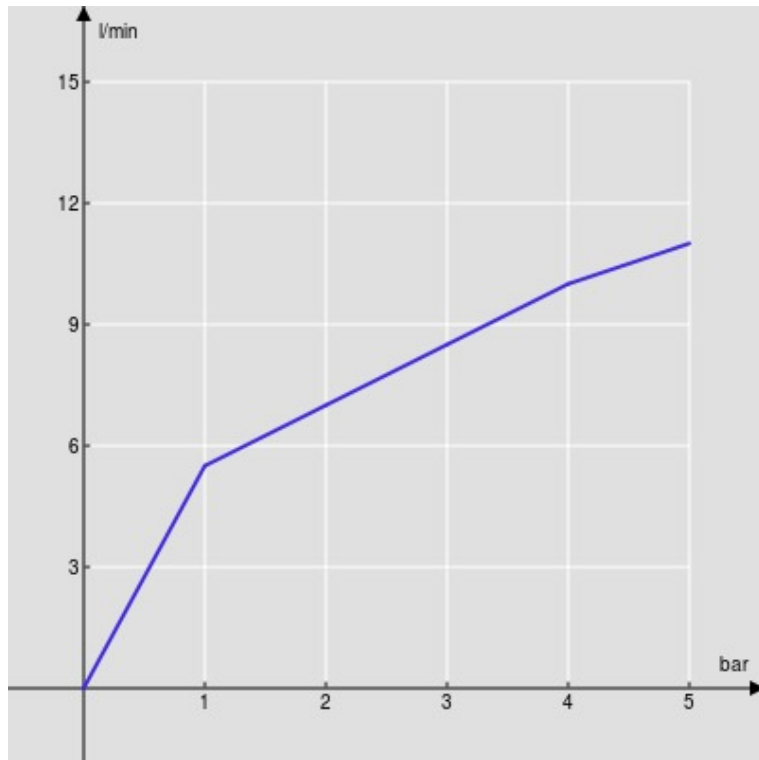
Single control  
Cromo polished  
360° swivel spout  
Anti limescale aerator M 22 x 1  
ø 3/8" stainless steel flexible pipe  
50% two step cartridge for water saving  
Packaging: 41,5 x 21,2 x 7,8 cm / 0,00686 m<sup>3</sup> / 1,48 kg

#### CERTIFICATIONS



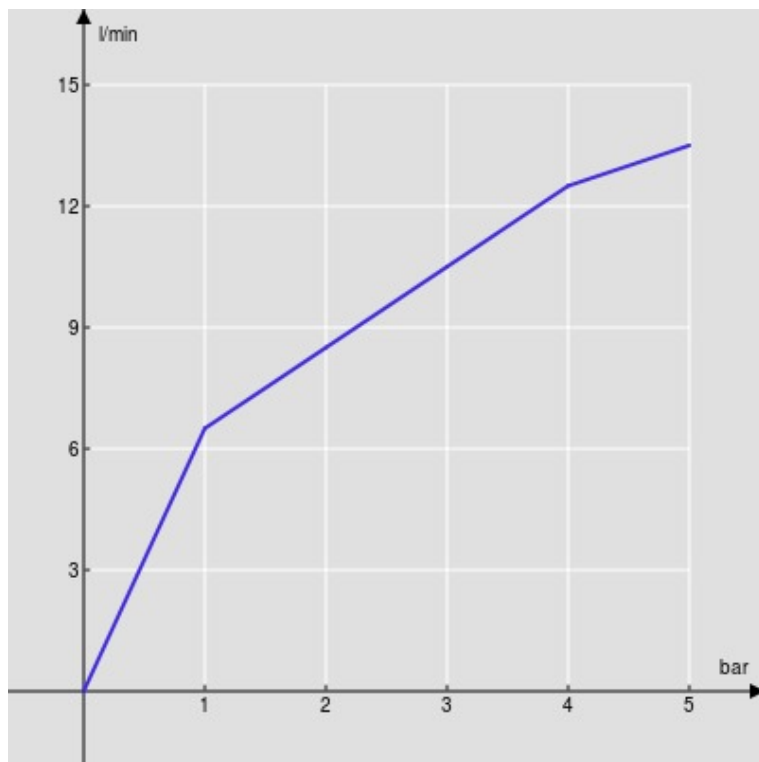


FLOW RATE DIAGRAM: HOT/COLD WATER



— Aerator

FLOW RATE DIAGRAM: MIXED WATER



— Aerator