

Operating Instructions

— Cable Reel

— KAR 3x1,5 / 10

— KAR 3x1,5 / 15



KAR 3x1,5 / 10

KAR-SERIES

Imprint

Product identification

Cable Reel	Item number
KAR 3x1,5 / 10	2161010
KAR 3x1,5 / 15	2161015

Manufacturer

AIRCRAFT
Kompressorenbau und Maschinenhandel GmbH
Gewerbestraße Ost 6
A-4921 Hohenzell

Phone: +43 (0) 7752 70 929 - 0
Fax: +43 (0) 7752 70 929 - 99

E-Mail: info@aircraft.at
Internet: www.aircraft.at

Sales Germany

AIRCRAFT - Stürmer Maschinen GmbH
Dr.-Robert-Pfleger-Straße 26
D-96103 Hallstadt/Bamberg

Fax: 0049 (0) 951 - 96555-55
E-Mail: info@aircraft-kompressoren.de
Internet: www.aircraft-kompressoren.com

Indications regarding to operating instructions

Genuine operating instructions

Edition: 22.05.2024
Version: 1.03
Language: English
Author: ES

Indications regarding to copyright

Copyright © 2024 AIRCRAFT Kompressorenbau und Maschinenhandel GmbH, Hohenzell, Austria.

The contents of these operating instructions is the sole property of the company AIRCRAFT Kompressorenbau und Maschinenhandel GmbH.

Passing on as well a copying of this dokumen, the use and distribution of this document, the use and distribution of its content are prohibited if not explicitly permitted. Contraventions are liable to compensation.

Subject to technical modifications and error.

Content

1 Introduction	3
1.1 Copyright	3
1.2 Customer service.....	3
1.3 Limitation of liability.....	3
2 Safety	3
2.1 Symbol explanation	3
2.2 Personal protective equipment	3
2.3 Allgemeine Sicherheitshinweise	4
3 Intended Use.....	4
4 Technical Data.....	4
4.1 Type plate.....	4
5 Transport and Assembly	5
5.1 Transport	5
5.2 Assembly	5
6 Description of device	6
7 Utilization	6
8 Care and maintenance.....	6
9 Disposal, recycling of old equipment ..	6
9.1 Decommission	6
9.2 Disposal of electrical equipment.....	6
10 EU Declaration of conformity.....	7
11 Spare parts	7
11.1 Spare parts order.....	7
11.2 Spare parts drawing.....	8
12 Notes	9

1 Introduction

You have made a good choice by purchasing the cable reel made by AIRCRAFT.

Read the operating instructions thoroughly before commissioning and keep them in a safe place.

They will inform you about the proper commissioning, the intended use as well as the safe and efficient operation and maintenance of your device.

The operating instructions are part of the device. Always keep this operating manual at the place of use of the cable reel. In addition, observe the local accident prevention regulations and general safety regulations for the area of application of the cable reel.

1.1 Copyright

The contents of this instruction manual are protected by copyright. Their use is permitted within the scope of using the device. Any other use is not permitted without the written consent of the manufacturer.

We apply for trademark, patent and design rights to protect our products, provided this is possible in individual cases. We emphatically oppose any infringement of our intellectual property.

1.2 Customer service

Please contact your dealer if you have questions on your device or you need technical advice. They will help you with specialist information and expert advice.

Austria:

AIRCRAFT Kompressorenbau und Maschinenhandel GmbH
Gewerbestraße Ost 6
A-4921 Hohenzell

Phone: 0043 (0) 7752 70 929-0

Fax: 0043 (0) 7752 70 929-99

E-Mail: info@aircraft.at

Internet: www.aircraft.at

Germany:

Stürmer Maschinen GmbH
Dr.-Robert-Pfleger-Str. 26
D-96103 Hallstadt

Repair-Service:

Fax: 0049 (0) 951 96555-111

E-Mail: service@stuermer-maschinen.de

Spare parts orders:

Fax: 0049 (0) 951 96555-119

E-Mail: ersatzteile@stuermer-maschinen.de

We are always interested in valuable experience and knowledge gained from using the application, which then could be shared and be valuable to develop our products even further.

1.3 Limitation of liability

All information and notes in these operating instructions were summarised taking the applicable standards and rules, the state-of-the-art and our longterm knowledge and experiences into consideration.

In the following cases the manufacturer is not liable for damages:

- Non-observance of the operating instructions,
- inappropriate use,
- Use of untrained staff,
- unauthorised modifications,
- technical changes,
- Use of not allowed spare parts.

The actual scope of delivery may deviate from the explanations and presentations described here in case of special models, when using additional ordering options or due to latest technical modifications.

The obligations agreed in the delivery contract, the general terms and conditions as well as the delivery conditions of the manufacturer and the legal regulations at the time of the conclusion of the contract are applicable.

2 Safety

This chapter provides an overview of all important safety packages for the protection of persons and for safe and trouble-free operation. Further task-related safety instructions are contained in the sections on the individual life phases.

2.1 Symbol explanation

Safety instructions

Safety instructions in this manual are identified by symbols. The safety instructions are introduced by signal words which express the extent of the hazard.

2.2 Personal protective equipment

The personal protective equipment is intended to protect persons from adverse effects on safety and health at work. The personnel must wear personal protective equipment during the various work on and with the device, which is separately indicated in the individual sections of this manual.

Personal protective equipment is explained in the following section:



Protective gloves

The protective gloves protect the hands from sharp-edged components as well as from friction, abrasions or deeper injuries.



Safety boots

The safety shoes protect the feet against bruising, falling parts and slipping out onto the surface.



Protective clothing

The protective clothing is tight-fitting clothing with low tear resistance.

2.3 General safety informations

- Always keep the cable reel and its working environment clean. Provide adequate lighting.
- Keep children and people unfamiliar with the cable reel away from their working environment.
- Before each use, make sure that no parts are damaged on the cable reel. Damaged parts must be replaced immediately to avoid sources of danger.
- Please observe the safety labels. If the labels are not immediately visible and understandable at first look, the cable reel must be taken out of operation until the new labels are attached.
- The plug must be compatible with the socket. Never change the plug. Do not use an adapter plug.
- When you pull the cable from the cable drum, pull only on the cable itself and not on the device or tool to which the cable is connected.
- Do not use the cable reel in rain or damp environments.
- Do not open the drum spring mechanism. The spring may pop out when opening the case and cause injury.
- Disconnect the power plug before starting assembly, cleaning and maintenance work.

3 Intended Use

The device is used exclusively for unwind and rewind the electric cable and for connection to the 230 V power supply system and matching consumers. Intended use also includes compliance with all information in these instructions. Any use beyond the intended use or any other use is considered misuse.



WARNING!

Danger in case of misuse!

Misuse of the device can lead to dangerous situations.

- Only operate the device in the power range specified in the technical data.
- Never bypass or override the safety devices.
- Only operate the device in a technically perfect condition.

For structural and technical changes to the device, the company Stürmer Maschinen GmbH assumes no liability.

Claims of any kind due to damage due to improper use are excluded.

4 Technical Data

	KAR 3x1,5 / 10	KAR 3x1,5 / 15
Cable length	10+1 m	15+1 m
Cable cross section	H05RR-F / 3Gx1.5mm ²	
Power: cable rolled up cable rolled out	1500W 3200W	1500W 3200W
Protection Class	IP44	IP44
Mounting height	1,2 - 1,5 m	
Dimensions [LxWxH] approx.	280x120x270 mm	
Weight approx.	4 kg	5,5 kg

4.1 Type plate

Kabelaufroller Cable reel		CE	
Typ Type	KAR 3x1,5/10	Serien-Nr. Serial no.	
Artikel-Nr. Item no.	2161010	Baujahr Year of manufacture month/year	
Gewicht Weight	4,0 kg	Kabellänge Lenth of cable	10 m + 1 m
 www.aircraft.at		Aircraft Kompressorenbau GmbH Gewerbestr. Ost 6, 4921 Hohenzell Österreich / Austria	

Fig. 1: Type plate KAR 3x1,5 / 10

5 Transport and Assembly

5.1 Transport



CAUTION!

Injuries caused by parts falling over or off a forklift, pallet truck or transport vehicle.

Only use means of transport that can carry the total weight and are suitable for it.

Improper transport of individual devices, unsecured devices stacked on top of each other or next to each other in packed or already unpacked condition is accident-prone and can cause damage or malfunctions for which we do not grant any liability or guarantee.

Transport the scope of delivery secured against shifting or tilting with a sufficiently dimensioned industrial truck to the installation site.

General risks during internal transport



CAUTION: DANGER OF TIPPING!

The device may be lifted unsecured by a maximum of 2cm.

Employees must be outside the danger zone, the reach of loads. Warn employees and, if necessary, advise employees of the hazard.

Devices may only be transported by authorized and qualified persons. Act responsibly during transport and always consider the consequences. Refrain from daring and risky actions.

Gradients and descents (e.g. driveways, ramps and the like) are particularly dangerous. If such passages are unavoidable, special caution is required.

Before starting the transport check the transport route for possible danger points, unevenness and disturbances as well as for sufficient strength and load capacity.

Danger points, unevenness and disturbance points must be inspected before transport. The removal of danger spots, disturbances and unevenness at the time of transport by other employees leads to considerable dangers.

Careful planning of internal transport is therefore essential.

5.2 Assembly



Use protective gloves!



Wear protective clothing!

Requirements for the installation site

The installation location must be near a grounded power outlet!

The cable reel must be mounted on a stand, beam or a stable support. The support must be able to bear the weight of the cable reel and the load from use.

Step 1: Select a suitable position on the support.

Step 2: Mark and drill 2 holes that correspond to the holes in the wall mount.

Step 3: Mount the bracket to the support with the screws.

Step 4: Align the holes on the cable reel housing with the hole on the bracket. Insert a 3/8" diameter screw into the holes in the bracket and drum housing.

Step 5: Make sure that the device is firmly attached to the surface.

Step 6: Plug the power plug of the cable reel into a properly installed power outlet.



ATTENTION!

Dangerous voltage!

- Only operate the device in a technically perfect condition.
- Disconnect the power plug after use.

6 Description of device



Fig. 2: Description of device

- 1 Power cord
- 2 Wall mounting bracket
- 3 Hose reel
- 4 Protective cap
- 5 Extension cable with plug-socket

7 Utilization

Pull the cable out of the cable reel to the desired length. When you stop pulling, the cable will hold its position.

To rewind the cable, briefly pull the cable to release the rewind lock and allow the cable to slowly rewind into the reel.

8 Care and maintenance



ATTENTION!

Danger of electric shock!

Unplug the device before cleaning it.



DANGER!

All work on electrical systems may only be carried out by qualified personnel who have been trained for this purpose and are familiar with the resulting risks.

All plastic parts and painted surfaces should be cleaned with a soft, damp cloth and some neutral detergent.

Check the mounting parts regularly for stability and damage.

After maintenance, repair and cleaning work, check that all coverings and protective devices are properly reinstalled.

9 Disposal, recycling of old equipment

In the interest of the environment, care must be taken to ensure that all components of the device are disposed of in the proper and authorized way.

9.1 Decommission

Disused devices must be taken out of operation immediately and professionally in order to avoid later misuse and danger to the environment or persons.

Step 1: If necessary, disassemble the equipment into handleable and recyclable assemblies and components.

Step 2: Dispose of the equipment components and operating materials in the appropriate disposal channels.

9.2 Disposal of electrical equipment

Electrical equipment contains a large number of recyclable materials and environmentally harmful components.

These components must be disposed of separately and properly. In case of doubt, contact the municipal waste disposal service.

If necessary, use the services of a specialized waste disposal company for processing.



The symbol on the product or its packaging indicates that this product should not be treated as normal household waste, but should be handed in at a collection point for the recycling of electrical and electronic equipment. By helping to dispose of this product correctly, you will

help protect the environment and the health of those around you. The environment and health are endangered by incorrect disposal. Material recycling helps to reduce the consumption of raw materials. For more information about recycling this product, contact your local authority, municipal waste disposal service or the shop where you purchased the product.

10 EU Declaration of conformity

Manufacturer/distributing company:

Stürmer Maschinen GmbH
Dr.-Robert-Pfleger-Str. 26
D-96103 Hallstadt

hereby declares that the following product

Product group: AIRCRAFT® Drucklufttechnik

Machine type: Cable Reel

Designation *: KAR 3x1,5 / 10
 KAR 3x1,5 / 15

Item number *: 2161010
 2161015

Serial number *: _____

Year of manufacture *: 20____

complies with all the relevant provisions of the Directives applied (hereinafter), including the amendments made to them at the time of this declaration.

Relevant EU Directives:

2014/35/EU Low Voltage Directive
2012/19/EU WEEE Directive
2011/65/EU RoHS Directive

The following harmonized standards were applied:

DIN EN 61242:2016-12

Electrical accessories - Cable reels for household and similar purposes

Responsible for documentation:

Kilian Stürmer, Stürmer Maschinen GmbH,
Dr.-Robert-Pfleger-Str. 26, D-96103 Hallstadt

Hallstadt, 23.05.2024



Kilian Stürmer
Managing Director



*fill these fields according to the information on the type plate

11 Spare parts

**DANGER!****Risk of injury through the use of incorrect spare parts!**

Dangers may result for the user and damages as well as malfunctions may be caused by using wrong or damaged spare parts.

- Only use original spare parts of the manufacturer or spare parts admitted by the manufacturer.
- Always contact the manufacturer in case of uncertainties.

**Tips and recommendations**

The manufacturer's warranty is void if non-approved spare parts are used.

11.1 Spare parts order

The spare parts may be purchased with the authorised dealer or directly with the manufacturer. Please find the corresponding contact data in Chapter 1.2 Customer service.

Indicate the following basic information for requests or orders of spare parts:

- Type of device
- Item No.
- Position No.
- Year of construction:
- Quantity
- Required mode of dispatch (mail, freight, sea, air, express)
- Address of dispatch

Spare part orders which do not include the above indications may not be taken into consideration. If the indications regarding the mode of dispatch are missing, the product is dispatched at the discretion of the supplier.

Information on the device type, article number and year of construction can be found on the nameplate, which is attached to the device.

Example

The bracket for the cable reel KAR 3x1,5 / 10 must be ordered. The bracket has in the spare parts drawing the number 12.

When ordering spare parts, send a copy of the spare parts drawing with marked component (bracket) and marked position number (12) to the authorized dealer or to the spare parts department and provide the following information:

- Type of device: **Cable Reel KAR 3x1,5 / 10**
- Item number: **2161010**
- Position number: **12**

Item number of your device:

Cable Reel KAR 3 x1,5 10 Meter: **2161010**

Cable Reel KAR 3 x1,5 15 Meter: **2161015**

11.2 Spare parts drawing

The following drawings should help in case of service to identify necessary spare parts.

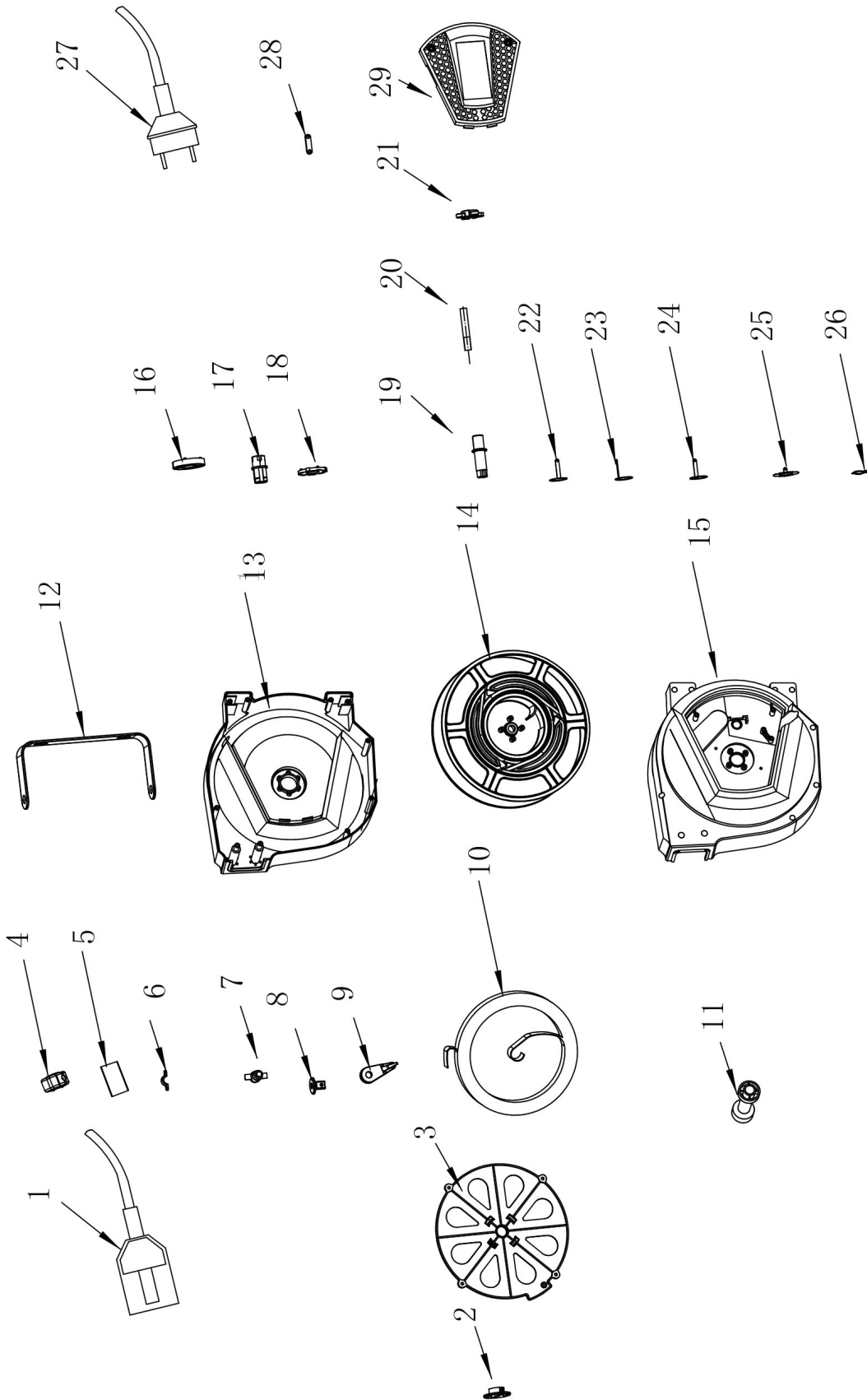


Fig. 3: Spare parts drawing KAR 3x1,5 / 10 and KAR 3x1,5 / 15

12 Notes

