

Nella

THORN

96636345 NELLA 3000-730 R-S CL2 T60 ANT

LED 30W Nella_R-S	IP66	IK08			Ta-20 +50
-------------------	------	------	--	--	--------------

Nella

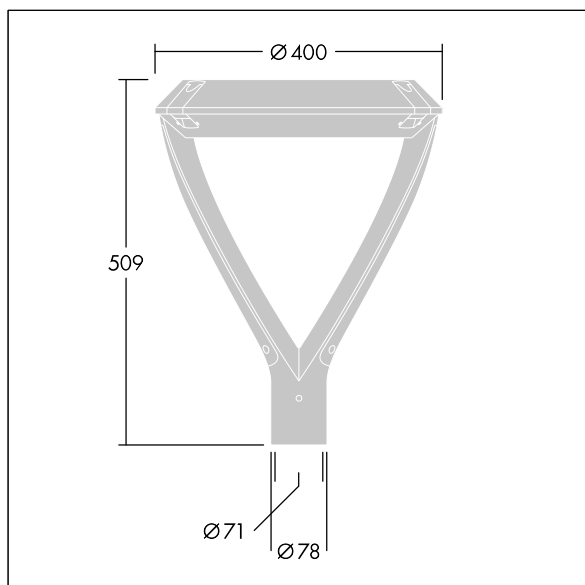
A contemporary design respectful of the environment with zero upward lighting and rotational symmetrical light distribution. Class II electrical, IP66, IK08. Base in die-cast aluminium, powder coated anthracite. Enclosure: tempered glass. Simplified control with a switch button to adapt the lumen output. Supplied complete in one box. Complete with 3000K LED

To be post top mounted on a spigot of Ø60mm, length 65mm at a recommended height of 3 to 4,5m. Pre-wired with 4 meter cable for ease of installation

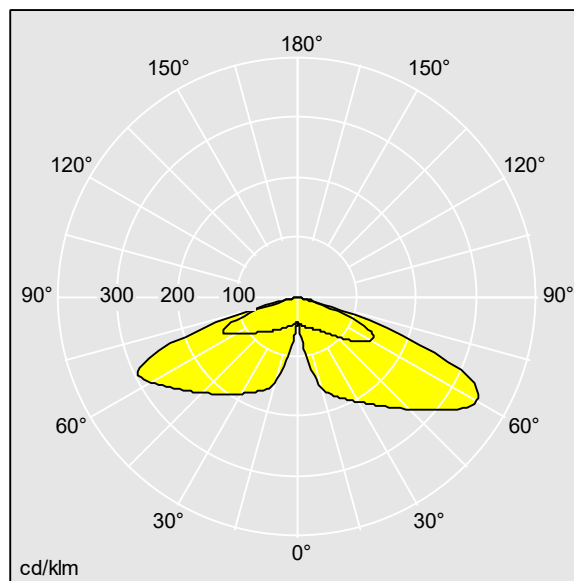
Dimensions: Ø78/400 x 509 mm
Total luminous flux: 3642 lm
Luminaire input power: 29.5 W
Weight: 10 kg
Scx : 0.11m²



TLG_NELLA_F_1.jpg



TLG_NELLA_M_Front.wmf



TLG_96636345_NELLA3000-730R-S_CL2_T60_ANT.ltd

Lamp position: STD - standard
Light Source: LED
Luminaire luminous flux*: 3646 lm
Luminaire efficacy*: 124 lm/W
Colour Rendering Index min.: 70
LOR: 1,00 ULOR: 0,01 DLOR: 0,99

Correlated colour temperature*: 3000 Kelvin
Chromaticity tolerance (initial MacAdam): 5
Ballast: 1x LED_Con
Luminaire input power*: 29.5 W Power factor = 0.95
Dimming: FO

This product contains a light source of energy efficiency class C.

All values marked with an * are rated values. Thorn uses tried and tested components from leading suppliers, however there may be isolated instances of technology-related failures of individual LEDs during the rated product lifetime. International standards set the tolerance in initial flux and connected load at ±10%. Unless stated otherwise, the values apply to an ambient temperature of 25°C. Risk group

Thorn Lighting is constantly developing and improving its products. The right is reserved to change specifications without prior notification or public announcement.
© Thorn Lighting