

CHARX ET2CP-3AC32-7,5MES00P - AC charging cable



1536267

<https://www.phoenixcontact.com/pc/products/1536267>

Please be informed that the data shown in this PDF document is generated from our online catalog. Please find the complete data in the user documentation. Our general terms of use for downloads are valid.



CHARX connect eco, Type 2, Mobile AC charging cable, 32 A permanent, 480 V AC, with vehicle charging connector and infrastructure charging plug, cable: 7.5 m, black, straight, with protective cap, PHOENIX CONTACT logo, IEC 62196-2, for charging electric vehicles (EV) with alternating current (AC), The protective cap included in the scope of delivery is plugged onto the vehicle charging connector for which protection is required by standard.

Product description

Mobile AC charging cable with vehicle charging connector and infrastructure charging plug for charging electric vehicles (EV) with alternating current (AC) via type 2 vehicle charging inlets, compatible with type 2 infrastructure charging sockets at charging stations for e-mobility (EVSE)

Your advantages

- Complete product range
- Convenient handling due to the ergonomic, triple award-winning design
- Available with your logo on request - for consistent branding of your charging station
- Longitudinal water tightness reliably prevents water ingress
- Developed and produced in accordance with the IATF 16949 automotive standard and ISO 9001
- Tested in accordance with automotive standards LV124, LV214, and LV215-2
- Tested in accordance with EV Ready 37 requirements
- Laser-marked mating face in accordance with DIN EN 17186

Commercial data

Item number	1536267
Packing unit	2 pc
Minimum order quantity	96 pc
Product key	XWBAEO
GTIN	4067923007963
Weight per piece (including packing)	2,536 g
Weight per piece (excluding packing)	2,536.8 g
Customs tariff number	85444290
Country of origin	DE

CHARX ET2CP-3AC32-7,5MES00P - AC charging cable



1536267

<https://www.phoenixcontact.com/pc/products/1536267>

Technical data

Notes

General	The protective cap included in the scope of delivery is plugged onto the vehicle charging connector for which protection is required by standard.
---------	---

Product properties

Product type	AC charging cable
Product family	CHARX connect eco
Application	for charging electric vehicles (EV) with alternating current (AC) compatible with type 2 infrastructure charging sockets at charging stations for electromobility (EVSE)
Type	Mobile AC charging cable with vehicle charging connector and infrastructure charging plug
Design	with protective cap
Affixed logo	PHOENIX CONTACT logo
Charging mode	Mode 3, Case B
Charging standard	Type 2
Customer variations	On request

Electrical properties

Type of signal transmission	Pulse width modulation
Note on the connection method	Crimp connection, cannot be disconnected
Coding	220 Ω (between PE and PP)
Type of charging current	AC 3-phase
Charging power	26.6 kW (3-phase)
Charging current	32 A AC (3-phase)

Power contact

Number	5 (L1, L2, L3, N, PE)
Rated voltage	480 V AC
Rated current	32 A

Signal contact

Number	2 (CP, PP)
Rated voltage	30 V AC
Rated current	2 A

Dimensions

Infrastructure charging plug

Width	57 mm
Height	77.5 mm
Depth	193.3 mm

CHARX ET2CP-3AC32-7,5MES00P - AC charging cable



1536267

<https://www.phoenixcontact.com/pc/products/1536267>

Vehicle charging connector

Dimensional drawing	
Width	70.4 mm
Height	82.3 mm
Depth	201.8 mm

Material specifications

Color (Housing)	black (9005)
Color (Handle area)	black (9005)
Color (Mating face)	black (9005)
Color (Protective cap)	black (9005)
Color (Cable)	black (9005)
Material (Vehicle charging connector)	Plastic
Material (Cable outer sheath)	TPE-U
Material (Contact surface)	Silver

Cable/line

Cable length	7.5 m
Cable weight	max. 374.00 kg/km
Cable type	straight
Cable structure	5 x 4.0 mm ² + 1 x 0.5 mm ²
External cable diameter	14.20 mm ±0.3 mm
Outer sheath, material	TPE-U
Cable resistance	≤ 0.00425 Ω/m (based on a power core, at an ambient temperature of 20°C)
Bending radius	min. 113.6 mm (8x diameter)

Mechanical properties

Mechanical data

Insertion/withdrawal cycles	> 10000
Insertion force	< 100 N
Withdrawal force	< 100 N

Environmental and real-life conditions

Ambient conditions

Degree of protection (Vehicle charging connector)	IP44 (plugged in; when plugged in and ready to operate, the degree of protection is only ensued if both plug-in components are original products from Phoenix Contact or suitable standard-compliant products)
Degree of protection (Infrastructure charging plug)	IP44 (plugged in; when plugged in and ready to operate, the degree of protection is only ensued if both plug-in components

CHARX ET2CP-3AC32-7,5MES00P - AC charging cable



1536267

<https://www.phoenixcontact.com/pc/products/1536267>

	are original products from Phoenix Contact or suitable standard-compliant products)
Degree of protection (Protective cap)	IP54
Ambient temperature (operation)	-40 °C ... 50 °C
Ambient temperature (storage/transport)	-40 °C ... 80 °C
Altitude	max. 5000 m (above sea level)

Standards and regulations

Standards

Standards/regulations	IEC 62196-2
-----------------------	-------------

CHARX ET2CP-3AC32-7,5MES00P - AC charging cable

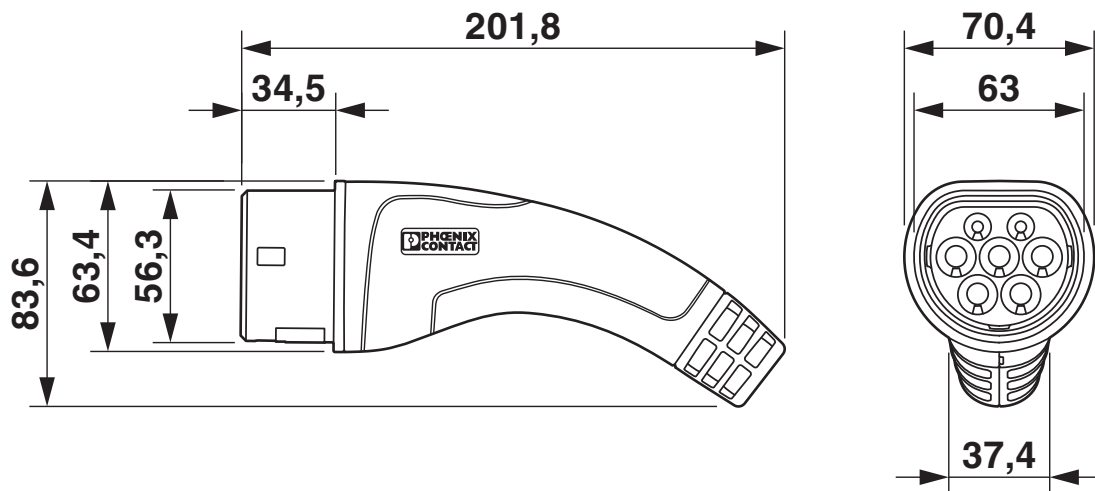


1536267

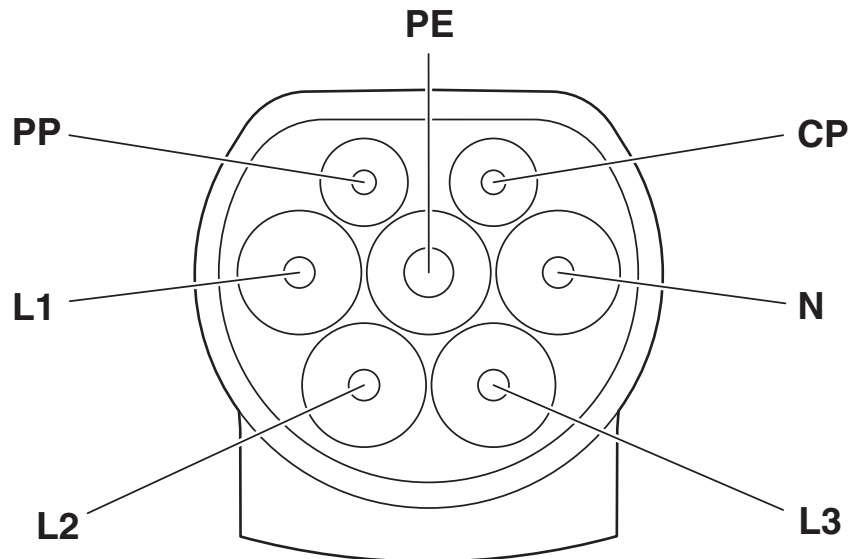
<https://www.phoenixcontact.com/pc/products/1536267>

Drawings

Dimensional drawing



Connection diagram



Pin assignment of Infrastructure Plug

CHARX ET2CP-3AC32-7,5MES00P - AC charging cable

1536267

<https://www.phoenixcontact.com/pc/products/1536267>

Schematic diagram



Operating instructions

CHARX ET2CP-3AC32-7,5MES00P - AC charging cable

1536267

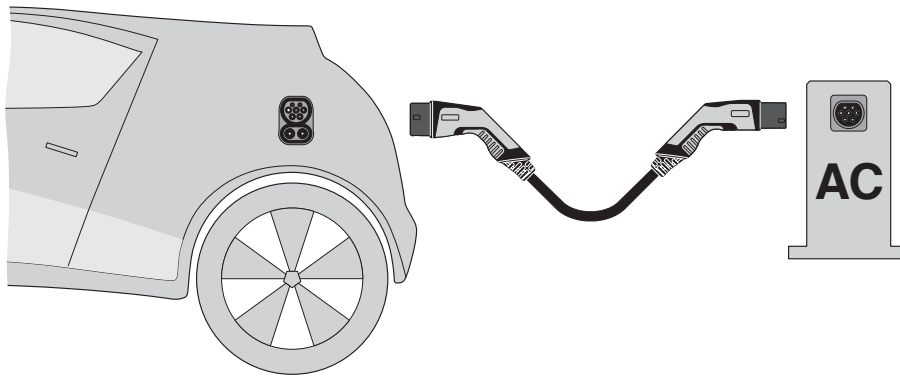
<https://www.phoenixcontact.com/pc/products/1536267>

Schematic diagram



Pin assignment of the Vehicle Connector

Schematic diagram



Terminology definition

CHARX ET2CP-3AC32-7,5MES00P - AC charging cable



1536267

<https://www.phoenixcontact.com/pc/products/1536267>

Classifications

ECLASS

ECLASS-11.0	27144705
ECLASS-12.0	27144705
ECLASS-13.0	27144705

ETIM

ETIM 9.0	EC002897
----------	----------

CHARX ET2CP-3AC32-7,5MES00P - AC charging cable



1536267

<https://www.phoenixcontact.com/pc/products/1536267>

Environmental product compliance

EU RoHS

Fulfills EU RoHS substance requirements	Yes
Exemption	6(c)

China RoHS

Environment friendly use period (EFUP)	EFUP-10
	An article-related China RoHS declaration table can be found in the download area for the respective article under "Manufacturer declaration". For all articles with EFUP-E, no China RoHS declaration table issued and required.

EU REACH SVHC

REACH candidate substance (CAS No.)	Lead(CAS: 7439-92-1)
SCIP	02f44220-e817-4008-bba4-b8b21ae1c40f

Phoenix Contact 2025 © - all rights reserved

<https://www.phoenixcontact.com>

PHOENIX CONTACT GmbH & Co. KG

Flachsmarktstraße 8

D-32825 Blomberg

+49 (0) 5235-3 00

info@phoenixcontact.com