

Data sheet

Combination unit FIXO 4 #61512

- robust housing made from shatterproof special plastic, including carry handle
- compact construction, ideal for mounting on the wall
- FIXO housing dimensions: 280x280x118 mm
- tested in accordance with DIN EN 61439-3

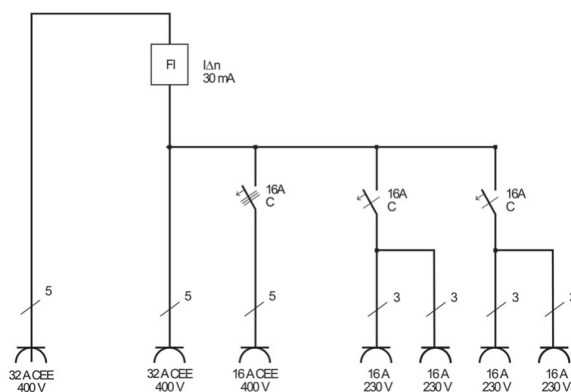
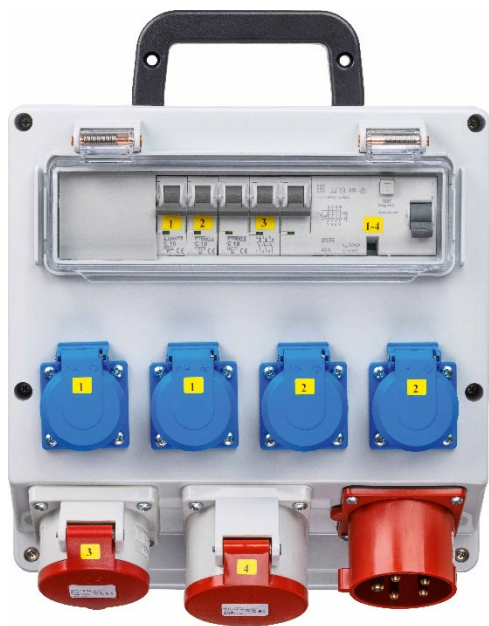


Image similar



Technical data:

400V/32A/ max. 22kw

Input:	panel mounted CEE plug 400V/32A/5pole
Output:	1 x CEE socket 400V/32A/5pole with hinged lid 1 x CEE-socket 400V/16A/5pole with hinged lid 4 x Protective contact socket 230V/16A
Protection:	1 x RCD 40A, 30mA, 4pole, Type A 1 x MCB C16A, 3-pole 2 x MCB C16A, 1-pole
Weight:	3,18kg
Dimensions:	280 mm / 380 mm / 130mm
EAN:	4011160615122