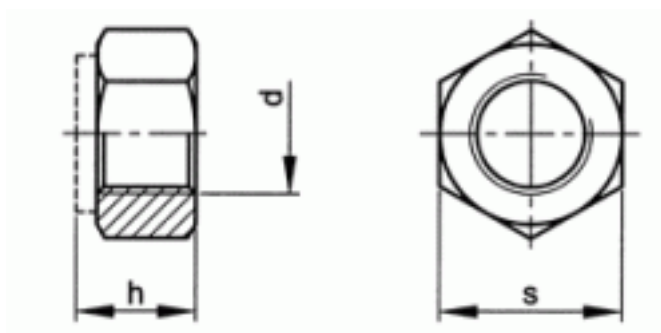


12410180001

D985 |10| ZPL HX LCKNT/INS M18



Brand	-
UBB Code	950355663713
UNSPSC Code	31161727
EAN Code	8715492578556
Driving features	hexagon
Thread	Metric thread
Class	10
Material	Steel
Surface treatment	Zinc plated



s	27
h	18,5
P	2,5
d	M18
Packaging (Piece)	50.0



Copyright Fabory Group