

PTME 6 - Test disconnect terminal block

3212170

<https://www.phoenixcontact.com/pc/products/3212170>

Please be informed that the data shown in this PDF document is generated from our online catalog. Please find the complete data in the user documentation. Our general terms of use for downloads are valid.



Test disconnect terminal block, nom. voltage: 500 V, nominal current: 30 A, connection method: Push-in connection, 1 level, Rated cross section: 6 mm², cross section: 0.5 mm² - 10 mm², color: gray

Your advantages

- Feed-through terminal blocks of the same shape are available
- Easy operation
- Clear
- Clear selection thanks to printed switching symbols
- Compact design
- Six function shafts
- Flexible and comprehensive accessories
- Reliably snapped into the end positions

PTME 6 - Test disconnect terminal block



3212170

<https://www.phoenixcontact.com/pc/products/3212170>

Technical data

Product properties

| | |
|-----------------------|--------------------------------|
| Product type | Test disconnect terminal block |
| Number of connections | 2 |
| Number of rows | 1 |
| Potentials | 1 |

Data management status

| | |
|------------------|----|
| Article revision | 04 |
|------------------|----|

Insulation characteristics

| | |
|----------------------|-----|
| Overvoltage category | III |
| Degree of pollution | 3 |

Electrical properties

| | |
|---|--------|
| Rated surge voltage | 6 kV |
| Maximum power dissipation for nominal condition | 1.31 W |

Connection data

| | |
|---------------------------------|-------------------|
| Number of connections per level | 2 |
| Nominal cross section | 6 mm ² |

1 level

| | |
|---|--|
| Stripping length | 12 mm |
| Internal cylindrical gage | A5 |
| Connection in acc. with standard | IEC 60947-7-1 |
| Conductor cross section rigid | 0.5 mm ² ... 10 mm ² |
| Cross section AWG | 20 ... 8 (converted acc. to IEC) |
| Conductor cross section flexible | 0.5 mm ² ... 6 mm ² |
| Conductor cross section, flexible [AWG] | 20 ... 10 (converted acc. to IEC) |
| Conductor cross-section flexible (ferrule without plastic sleeve) | 0.5 mm ² ... 6 mm ² |
| Flexible conductor cross section (ferrule with plastic sleeve) | 0.5 mm ² ... 6 mm ² |
| Conductor cross-section flexible (2 conductors with the same cross-section, with TWIN ferrule and plastic sleeve) | 0.5 mm ² ... 1.5 mm ² |
| 2 conductors with the same cross section, flexible, with TWIN ferrule with plastic sleeve | 0.5 mm ² ... 1.5 mm ² |
| Nominal current | 30 A |
| Maximum load current | 30 A (with 10 mm ² conductor cross section) |
| Nominal voltage | 500 V |
| Nominal cross section | 6 mm ² |

1 level Connection cross sections directly pluggable

| | |
|---|--|
| Conductor cross section rigid | 1 mm ² ... 10 mm ² |
| Conductor cross-section flexible (ferrule without plastic sleeve) | 1 mm ² ... 6 mm ² |
| Flexible conductor cross section (ferrule with plastic sleeve) | 1 mm ² ... 6 mm ² |

PTME 6 - Test disconnect terminal block



3212170

<https://www.phoenixcontact.com/pc/products/3212170>

Dimensions

| | |
|--------------------|----------|
| Width | 8.2 mm |
| End cover width | 2.2 mm |
| Height | 100.8 mm |
| Depth on NS 35/7,5 | 49.6 mm |
| Depth on NS 35/15 | 57.1 mm |

Material specifications

| | |
|---|-----------------|
| Color | gray (RAL 7042) |
| Flammability rating according to UL 94 | V0 |
| Insulating material group | I |
| Insulating material | PA |
| Static insulating material application in cold | -60 °C |
| Temperature index of insulation material (DIN EN 60216-1 (VDE 0304-21)) | 125 °C |
| Relative insulation material temperature index (Elec., UL 746 B) | 130 °C |
| Fire protection for rail vehicles (DIN EN 45545-2) R22 | HL 1 - HL 3 |
| Fire protection for rail vehicles (DIN EN 45545-2) R23 | HL 1 - HL 3 |
| Fire protection for rail vehicles (DIN EN 45545-2) R24 | HL 1 - HL 3 |
| Fire protection for rail vehicles (DIN EN 45545-2) R26 | HL 1 - HL 3 |
| Calorimetric heat release NFPA 130 (ASTM E 1354) | 27,5 MJ/kg |
| Surface flammability NFPA 130 (ASTM E 162) | passed |
| Specific optical density of smoke NFPA 130 (ASTM E 662) | passed |
| Smoke gas toxicity NFPA 130 (SMP 800C) | passed |

Electrical tests

Surge voltage test

| | |
|-----------------------|-------------|
| Test voltage setpoint | 7.3 kV |
| Result | Test passed |

Temperature-rise test

| | |
|--|-------------------------------------|
| Requirement temperature-rise test | Increase in temperature \leq 45 K |
| Result | Test passed |
| Short-time withstand current 4 mm ² | 0.5 kA |
| | 0.15 kA |
| | 1.25 kA |
| Result | Test passed |

Power-frequency withstand voltage

| | |
|-----------------------|-------------|
| Test voltage setpoint | 1.89 kV |
| Result | Test passed |

Mechanical properties

Mechanical data

PTME 6 - Test disconnect terminal block



3212170

<https://www.phoenixcontact.com/pc/products/3212170>

| | |
|-----------------|-----|
| Open side panel | Yes |
|-----------------|-----|

Mechanical tests

Mechanical strength

| | |
|--------|-------------|
| Result | Test passed |
|--------|-------------|

Attachment on the carrier

| | |
|-------------------------|-------------|
| DIN rail/fixing support | NS 35 |
| Test force setpoint | 5 N |
| Result | Test passed |

Test for conductor damage and slackening

| | |
|--------------------------------|------------------------------|
| Rotation speed | 10 rpm |
| Revolutions | 135 |
| Conductor cross section/weight | 0.5 mm ² / 0.3 kg |
| | 6 mm ² / 1.4 kg |
| | 10 mm ² / 2 kg |
| Result | Test passed |

Environmental and real-life conditions

Aging

| | |
|--------------------|-------------|
| Temperature cycles | 192 |
| Result | Test passed |

Needle-flame test

| | |
|------------------|-------------|
| Time of exposure | 30 s |
| Result | Test passed |

Oscillation/broadband noise

| | |
|------------------------|--|
| Specification | DIN EN 50155 (VDE 0115-200):2018-05 |
| Spectrum | Service life test category 2, bogie-mounted |
| Frequency | $f_1 = 5 \text{ Hz}$ to $f_2 = 250 \text{ Hz}$ |
| ASD level | 6.12 (m/s ²) ² /Hz |
| Acceleration | 3.12g |
| Test duration per axis | 5 h |
| Test directions | X-, Y- and Z-axis |
| Result | Test passed |

Shocks

| | |
|--------------------------------|-------------------------------------|
| Specification | DIN EN 50155 (VDE 0115-200):2018-05 |
| Pulse shape | Half-sine |
| Acceleration | 30g |
| Shock duration | 18 ms |
| Number of shocks per direction | 3 |
| Test directions | X-, Y- and Z-axis (pos. and neg.) |

PTME 6 - Test disconnect terminal block



3212170

<https://www.phoenixcontact.com/pc/products/3212170>

| | |
|--------|-------------|
| Result | Test passed |
|--------|-------------|

Ambient conditions

| | |
|--|--|
| Ambient temperature (operation) | -60 °C ... 110 °C (Operating temperature range incl. self-heating; for max. short-term operating temperature, see RTI Elec.) |
| Ambient temperature (storage/transport) | -25 °C ... 60 °C (for a short time, not exceeding 24 h, -60 °C to +70 °C) |
| Ambient temperature (assembly) | -5 °C ... 70 °C |
| Ambient temperature (actuation) | -5 °C ... 70 °C |
| Permissible humidity (operation) | 20 % ... 90 % |
| Permissible humidity (storage/transport) | 30 % ... 70 % |

Standards and regulations

| | |
|----------------------------------|---------------|
| Connection in acc. with standard | IEC 60947-7-1 |
|----------------------------------|---------------|

Mounting

| | |
|---------------|-----------|
| Mounting type | NS 35/15 |
| | NS 35/7,5 |

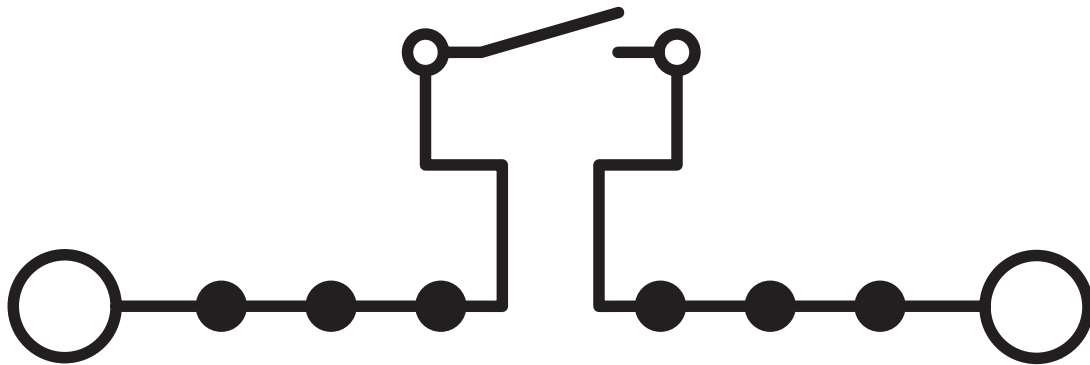
PTME 6 - Test disconnect terminal block

3212170

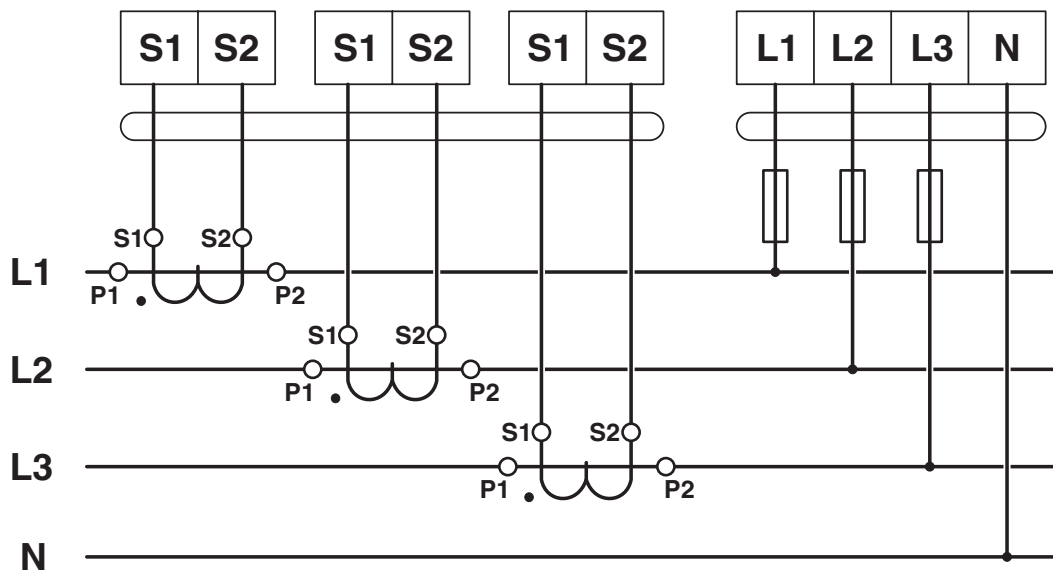
<https://www.phoenixcontact.com/pc/products/3212170>

Drawings

Circuit diagram



Circuit diagram

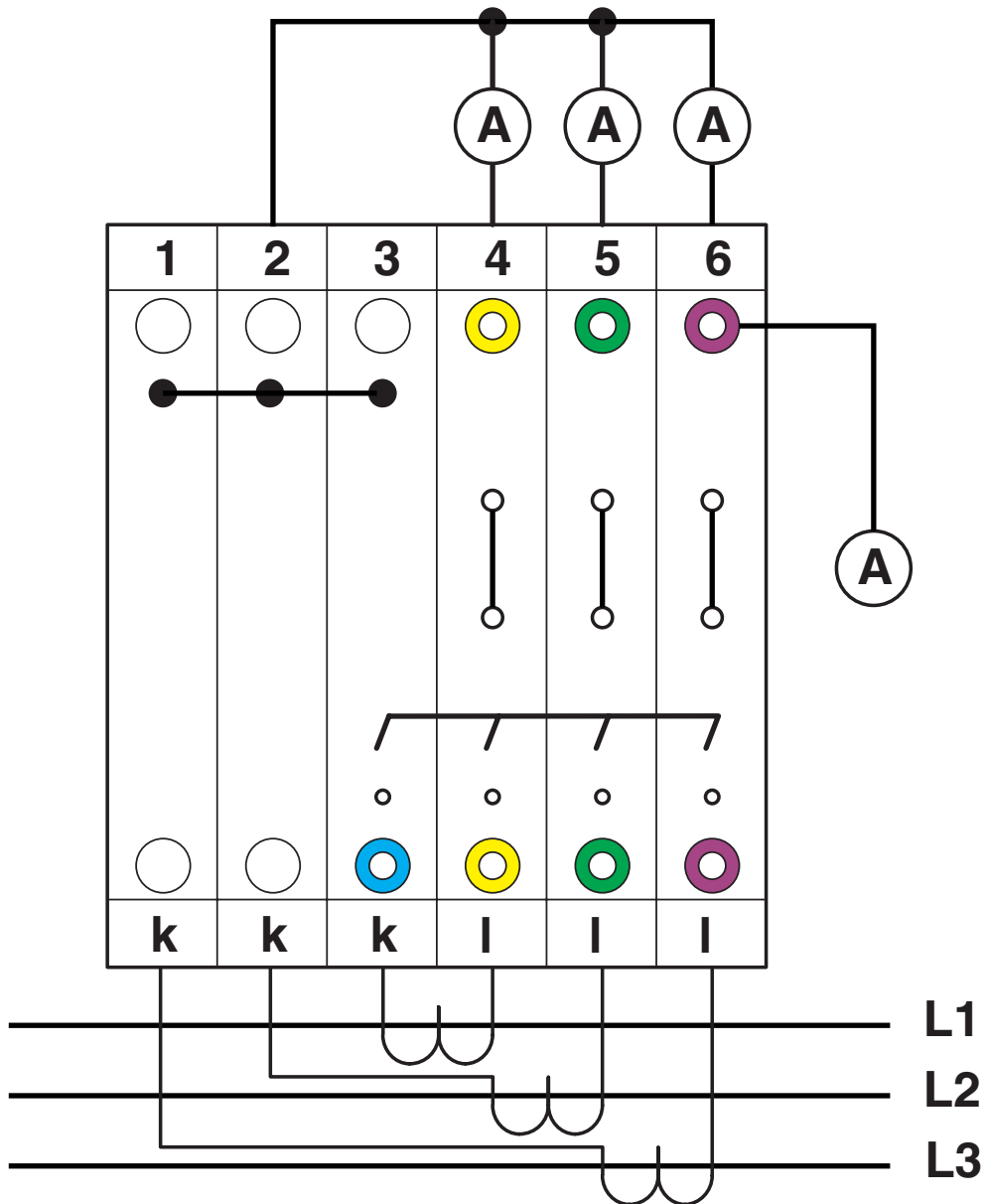


PTME 6 - Test disconnect terminal block

3212170

<https://www.phoenixcontact.com/pc/products/3212170>

Connection diagram



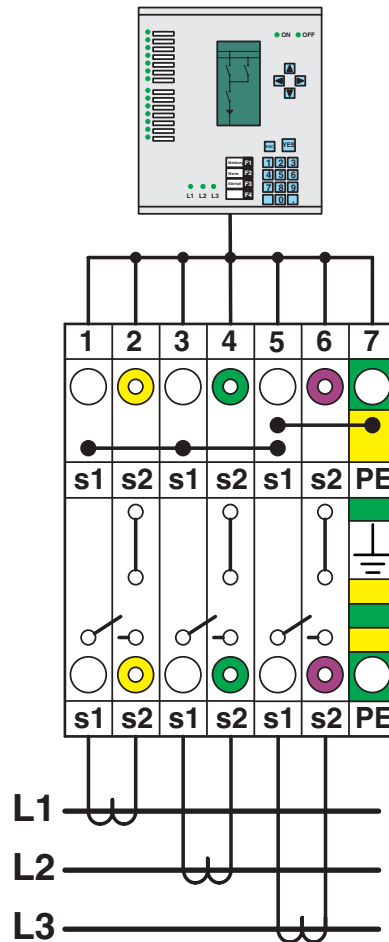
phase to phase

PTME 6 - Test disconnect terminal block

3212170

<https://www.phoenixcontact.com/pc/products/3212170>

Schematic diagram



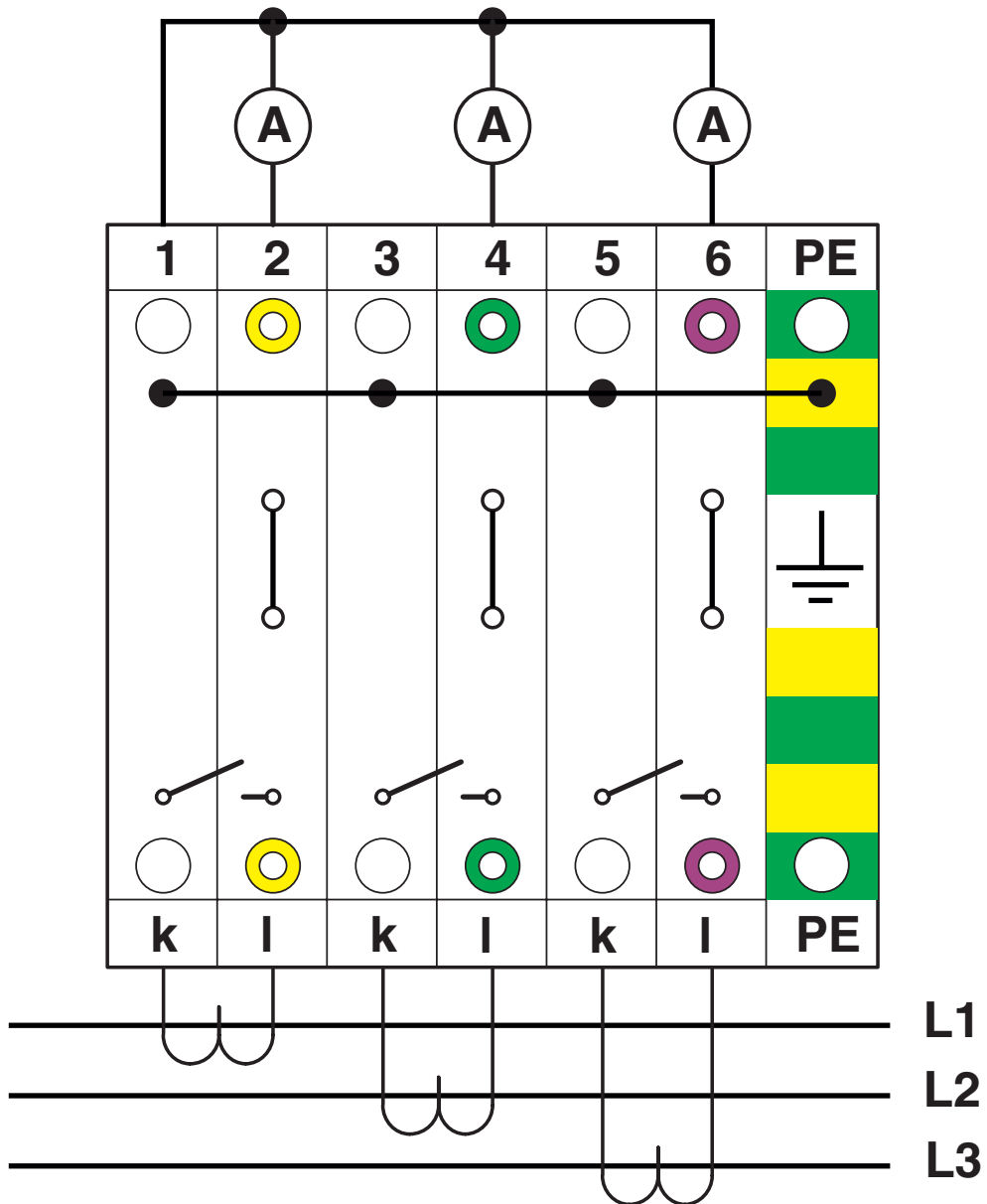
Interlinked three-phase current transformer set with grounded star point

PTME 6 - Test disconnect terminal block

3212170

<https://www.phoenixcontact.com/pc/products/3212170>

Connection diagram



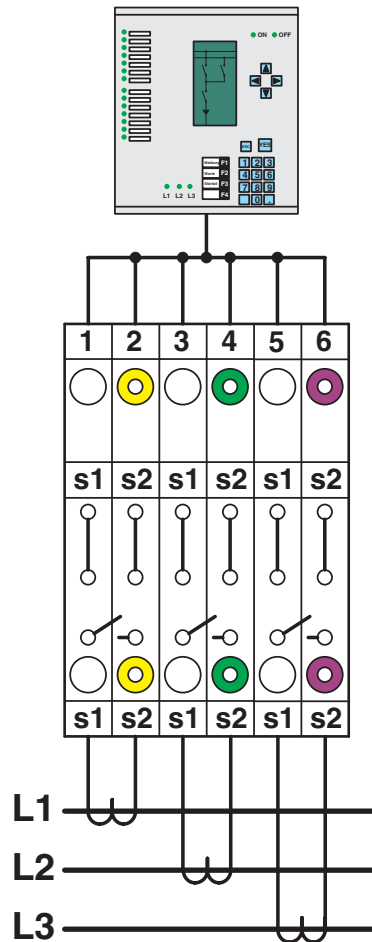
with PE terminals having the same contours

PTME 6 - Test disconnect terminal block

3212170

<https://www.phoenixcontact.com/pc/products/3212170>

Schematic diagram



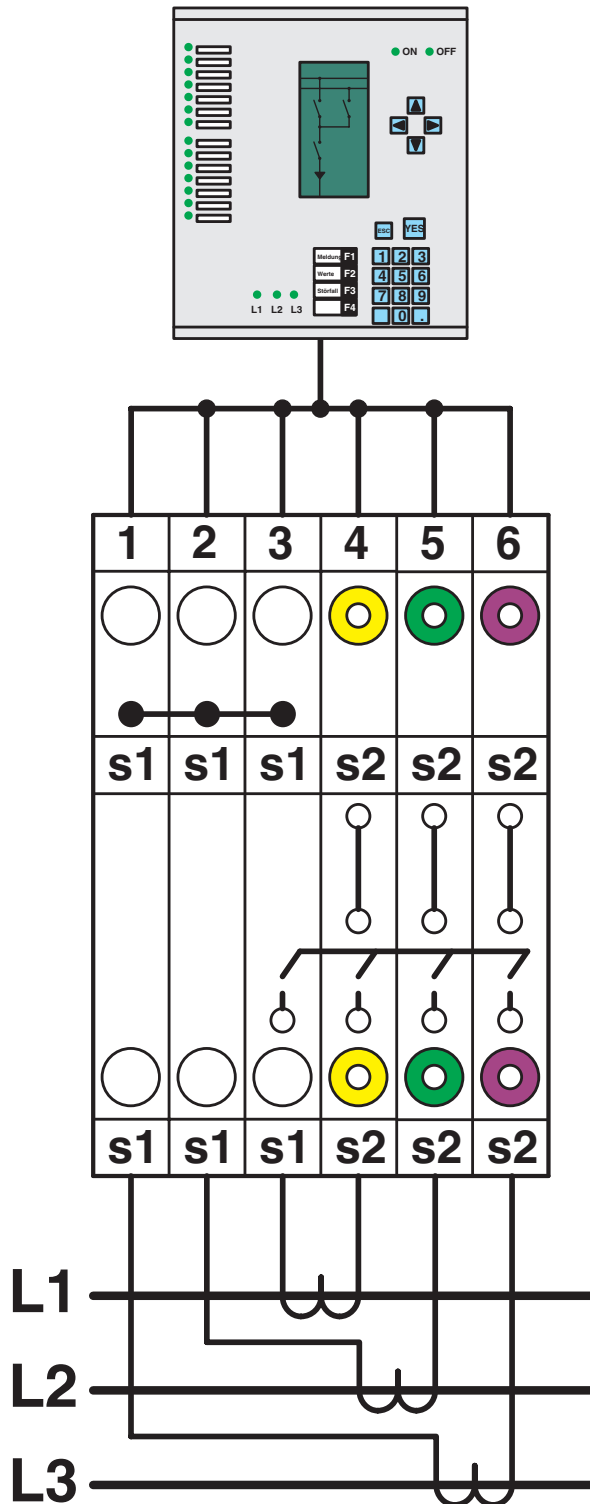
Simple three-phase current transformer set

PTME 6 - Test disconnect terminal block

3212170

<https://www.phoenixcontact.com/pc/products/3212170>

Schematic diagram



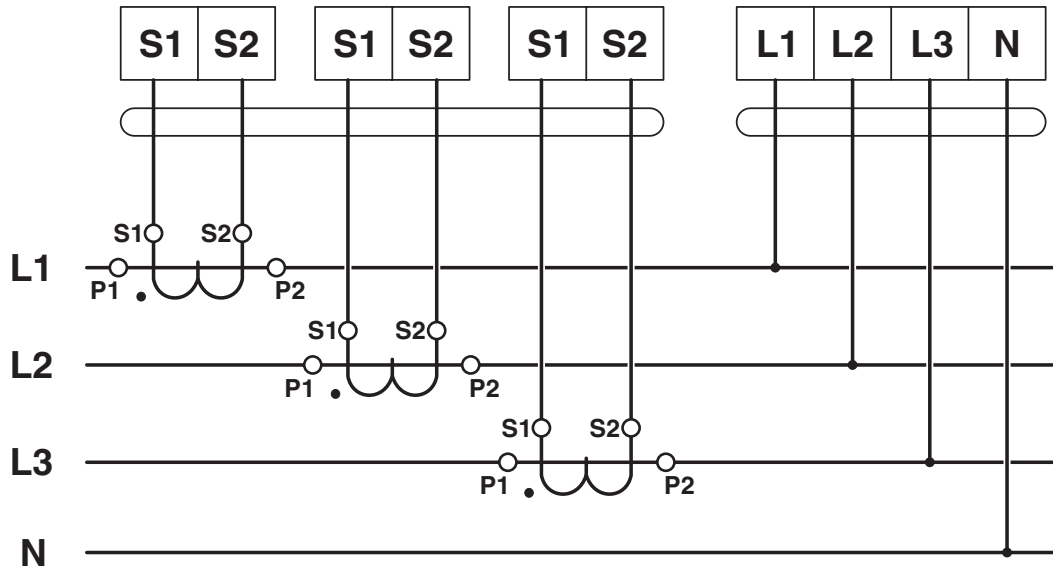
Interlinked three-phase current transformer set

PTME 6 - Test disconnect terminal block

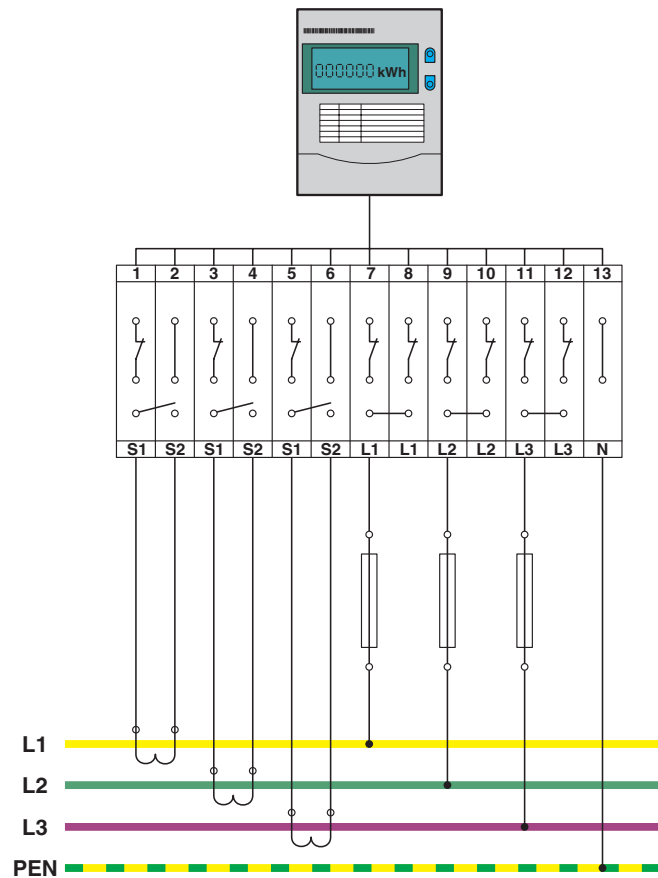
3212170

<https://www.phoenixcontact.com/pc/products/3212170>

Circuit diagram



Circuit diagram

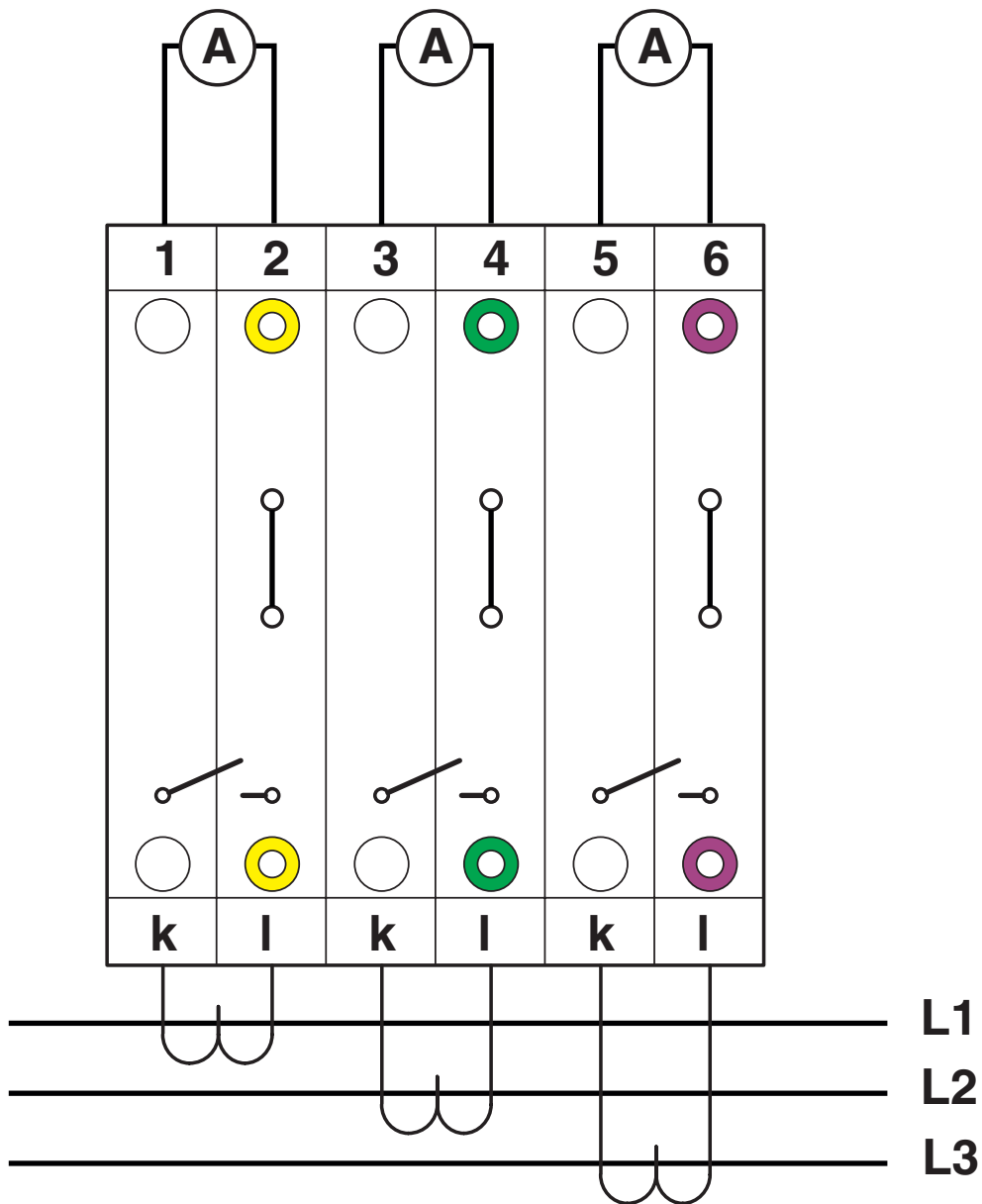


PTME 6 - Test disconnect terminal block

3212170

<https://www.phoenixcontact.com/pc/products/3212170>

Connection diagram



PTME 6 - Test disconnect terminal block



3212170

<https://www.phoenixcontact.com/pc/products/3212170>

Approvals

To download certificates, visit the product detail page: <https://www.phoenixcontact.com/pc/products/3212170>



IECEE CB Scheme

Approval ID: NL-37536



EAC

Approval ID: RU C-DE.BL08.B.00644



KEMA-KEUR

Approval ID: 2183172.01

| | Nominal voltage U_N | Nominal current I_N | Cross section AWG | Cross section mm^2 |
|--------------------------|-----------------------|-----------------------|-------------------|-----------------------------|
| Only flexible conductors | 500 V | 30 A | - | 0.5 - 6 |
| Only rigid conductors | 500 V | 30 A | - | 0.5 - 10 |



cULus Recognized

Approval ID: E60425

| | Nominal voltage U_N | Nominal current I_N | Cross section AWG | Cross section mm^2 |
|-------------|-----------------------|-----------------------|-------------------|-----------------------------|
| Use group B | 300 V | 30 A | 24 - 8 | - |
| Use group C | 300 V | 30 A | 24 - 8 | - |
| Use group D | 600 V | 5 A | 24 - 8 | - |
| Use group F | 500 V | 30 A | 24 - 8 | - |

PTME 6 - Test disconnect terminal block



3212170

<https://www.phoenixcontact.com/pc/products/3212170>

Classifications

ECLASS

| | |
|-------------|----------|
| ECLASS-11.0 | 27141126 |
| ECLASS-12.0 | 27141126 |
| ECLASS-13.0 | 27250109 |

ETIM

| | |
|----------|----------|
| ETIM 9.0 | EC000902 |
|----------|----------|

UNSPSC

| | |
|-------------|----------|
| UNSPSC 21.0 | 39121400 |
|-------------|----------|

PTME 6 - Test disconnect terminal block



3212170

<https://www.phoenixcontact.com/pc/products/3212170>

Environmental product compliance

EU RoHS

| | |
|---|--------------------|
| Fulfills EU RoHS substance requirements | Yes, No exemptions |
|---|--------------------|

China RoHS

| | |
|--|--|
| Environment friendly use period (EFUP) | EFUP-E |
| | No hazardous substances above the limits |

EU REACH SVHC

| | |
|-------------------------------------|----------------------------|
| REACH candidate substance (CAS No.) | No substance above 0.1 wt% |
|-------------------------------------|----------------------------|

EF3.0 Climate Change

| | |
|---------|---------------|
| CO2e kg | 0.166 kg CO2e |
|---------|---------------|

Phoenix Contact 2024 © - all rights reserved
<https://www.phoenixcontact.com>

PHOENIX CONTACT GmbH & Co. KG
Flachsmarktstraße 8
D-32825 Blomberg
+49 (0) 5235-3 00
info@phoenixcontact.com