

# CLT-10P/2-VF-230V-I-P - Surge protection plug



1088564

<https://www.phoenixcontact.com/gb/products/1088564>

Please be informed that the data shown in this PDF document is generated from our online catalog. Please find the complete data in the user documentation. Our general terms of use for downloads are valid.



Surge protection plug, directly pluggable on 2 terminal blocks, with integrated status indicator on the module for a 2-wire floating signal circuit with high nominal current. Nominal voltage: 230 V AC

## Your advantages

- Easy installation due to Push-in terminal blocks with pluggable surge protection
- Superior system availability thanks to high-performance protective circuit with integrated overload protection
- Quick and easy diagnostics with optional remote signaling for integration into digital infrastructures
- Three become two - use just two terminal blocks to protect two signal paths in an overall width of 10.3 mm
- Future-proof - satisfies international standards and directives, such as the DB RIL 819.0808 railway directive

## Commercial data

Item number	1088564
Packing unit	1 pc
Minimum order quantity	1 pc
Sales key	CL2171
Product key	CL2171
GTIN	4055626889627
Weight per piece (including packing)	54.1 g
Weight per piece (excluding packing)	35.05 g
Customs tariff number	85363010
Country of origin	DE

# CLT-10P/2-VF-230V-I-P - Surge protection plug



1088564

<https://www.phoenixcontact.com/gb/products/1088564>

## Technical data

### Product properties

Product type	Surge protection for MCR technology
Product family	CLIXTRAB
IEC test classification	C1
	C2
	C3
	D1
Type	DIN rail module, two-section, divisible

### Data management status

Article revision	10
------------------	----

### Insulation characteristics

Overvoltage category	III
Pollution degree	2

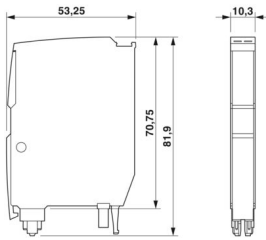
### Electrical properties

Nominal voltage $U_N$	240 V AC
-----------------------	----------

### Connection data

Connection method	pluggable
-------------------	-----------

### Dimensions

Dimensional drawing	
Width	10.3 mm
Height	53.25 mm
Depth	81.9 mm

### Material specifications

Color	light gray (RAL 7035)
Flammability rating according to UL 94	V-0
Insulating material	PA 6.6+GV 20 %
Housing material	PA 6.6+GV 20 %

### Mechanical properties

#### Mechanical data

# CLT-10P/2-VF-230V-I-P - Surge protection plug



1088564

<https://www.phoenixcontact.com/gb/products/1088564>

Open side panel	No
-----------------	----

## Protective circuit

Direction of action	Line-Earth Ground
Maximum continuous voltage $U_C$	230 V DC
	264 V AC
Rated current	10 A AC (80 °C / 10 A AC C)
	6 A DC (80 °C / 6,3 A DC F)
	10 A DC (80 °C / 10 A DC D01 gR)
Operating effective current $I_C$ at $U_C$	$\leq 1 \mu\text{A}$
Residual current $I_{PE}$	$\leq 2 \mu\text{A}$
Total discharge current $I_{\text{total}}$ (8/20) $\mu\text{s}$	6 kA
Voltage protection level $U_p$ (line-earth)	$\leq 1.4 \text{ kV}$ (C1 - 1,5 kV / 750 A)
	$\leq 1.4 \text{ kV}$ (C2 - 6 kV / 3 kA)
	$\leq 1.5 \text{ kV}$ (C3 - 50 A)
Response time $t_A$ (line-earth)	$\leq 100 \text{ ns}$
Input attenuation aE, asym.	typ. 0.3 dB ( $\leq 60 \text{ MHz}/150 \Omega$ )
Cut-off frequency $f_g$ (3 dB), asym. (signal ground) in 150 $\Omega$ system	typ. 60 MHz
Capacity (line-signalground)	typ. 20 pF
Surge protection fault message	optical
Max. required back-up fuse	10 A AC (C)
	6.3 A DC (F)
	10 A DC (D01 gR)
Impulse durability (line-earth)	C1 - 1,5 kV / 750 A
	C2 - 6 kV / 3 kA
	C3 - 50 A
	D1 - 500 A
Pulse reset time (line-earth)	$\leq 30 \text{ ms}$

## Environmental and real-life conditions

### Ambient conditions

Degree of protection	IP20
Ambient temperature (operation)	-40 °C ... 80 °C
Ambient temperature (storage/transport)	-40 °C ... 80 °C
Altitude	$\leq 2000 \text{ m}$ (amsl)
Permissible humidity (operation)	5 % ... 95 %
Shock (operation)	5g (Half-sine / 11 ms / 3x $\pm X$ , $\pm Y$ , $\pm Z$ )
	10g (Half-sine / 8 ms / 3x $\pm X$ , $\pm Y$ , $\pm Z$ )
	5g (Half-sine / 30 ms / 3x $\pm X$ , $\pm Y$ , $\pm Z$ )
Vibration (operation)	0,58g (5 ... 150 Hz / 5 h / X, Y, Z)
	1g (5 ... 2000 Hz / 5 h / X, Y, Z)

## Standards and regulations

# CLT-10P/2-VF-230V-I-P - Surge protection plug



1088564

<https://www.phoenixcontact.com/gb/products/1088564>

Standards/specifications	IEC 61643-21
Note	2000 + corrigendum 2001 + A1:2008, modified + A2:2012
Standards/specifications	EN 61643-21
Note	2001 + A1:2009 + A2:2013

## Mounting

Mounting type	on base element
---------------	-----------------

# CLT-10P/2-VF-230V-I-P - Surge protection plug

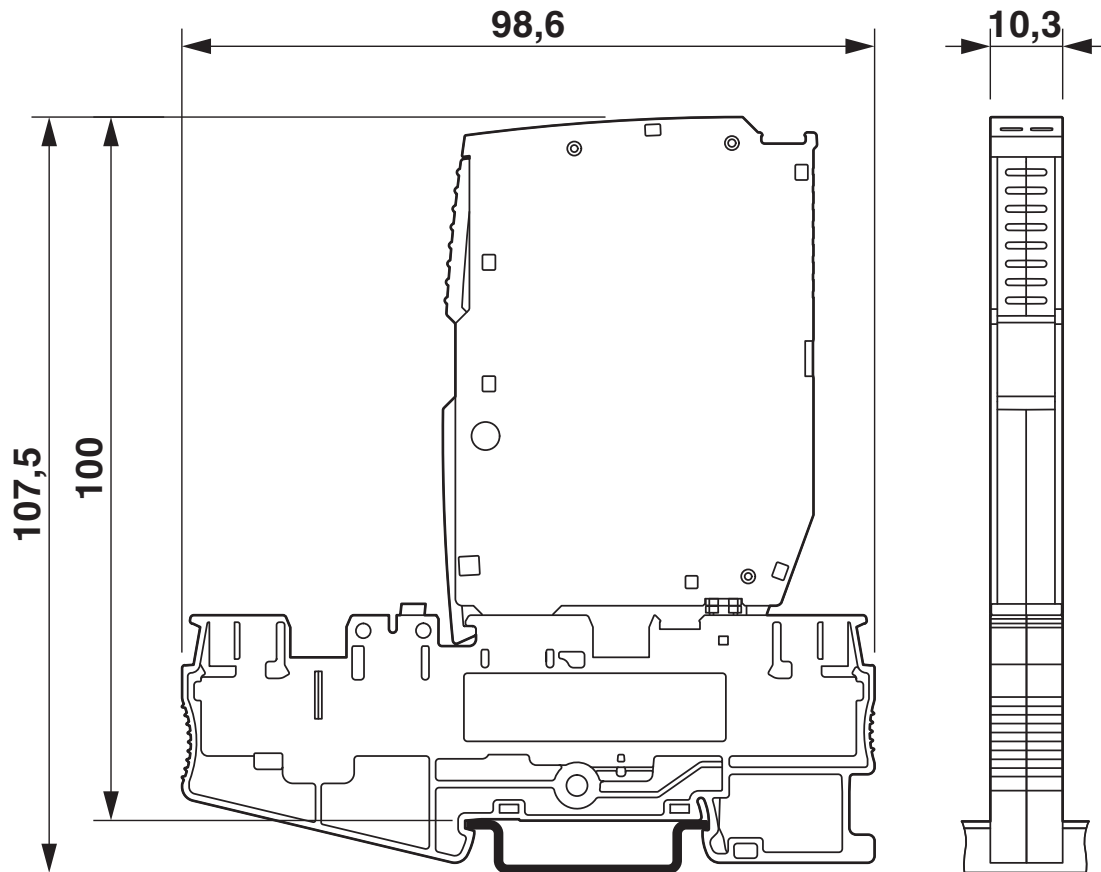
1088564

<https://www.phoenixcontact.com/gb/products/1088564>



## Drawings

Dimensional drawing



The figure shows the product with the corresponding terminal blocks

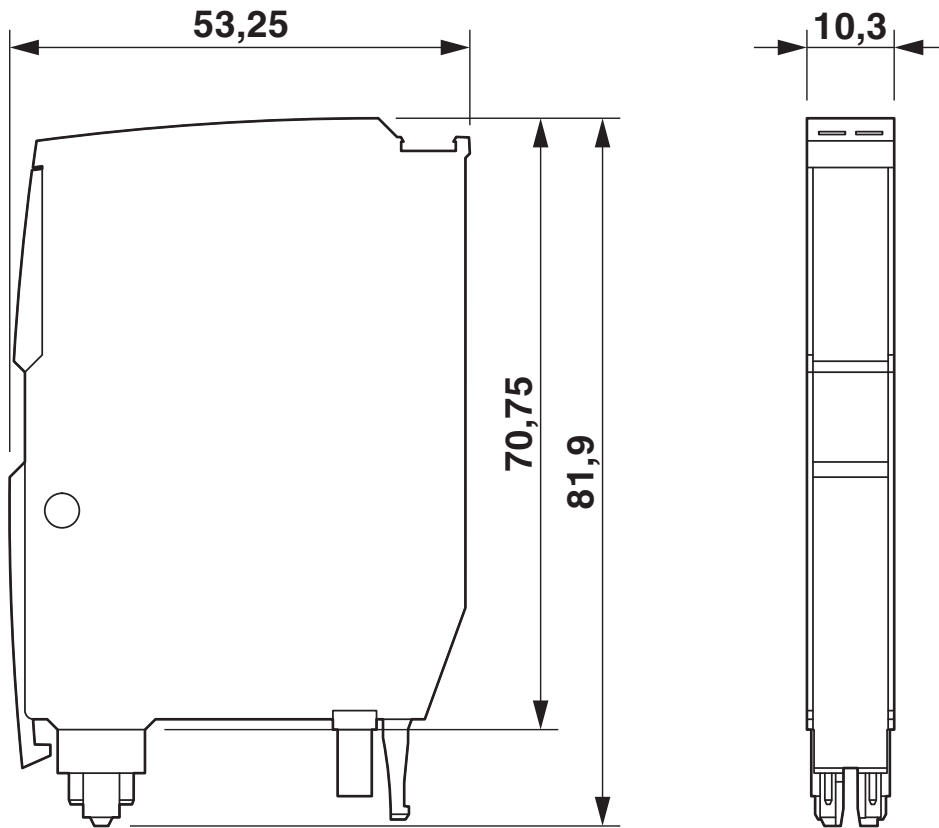
# CLT-10P/2-VF-230V-I-P - Surge protection plug

1088564

<https://www.phoenixcontact.com/gb/products/1088564>



Dimensional drawing



# CLT-10P/2-VF-230V-I-P - Surge protection plug

1088564

<https://www.phoenixcontact.com/gb/products/1088564>



Connection diagram

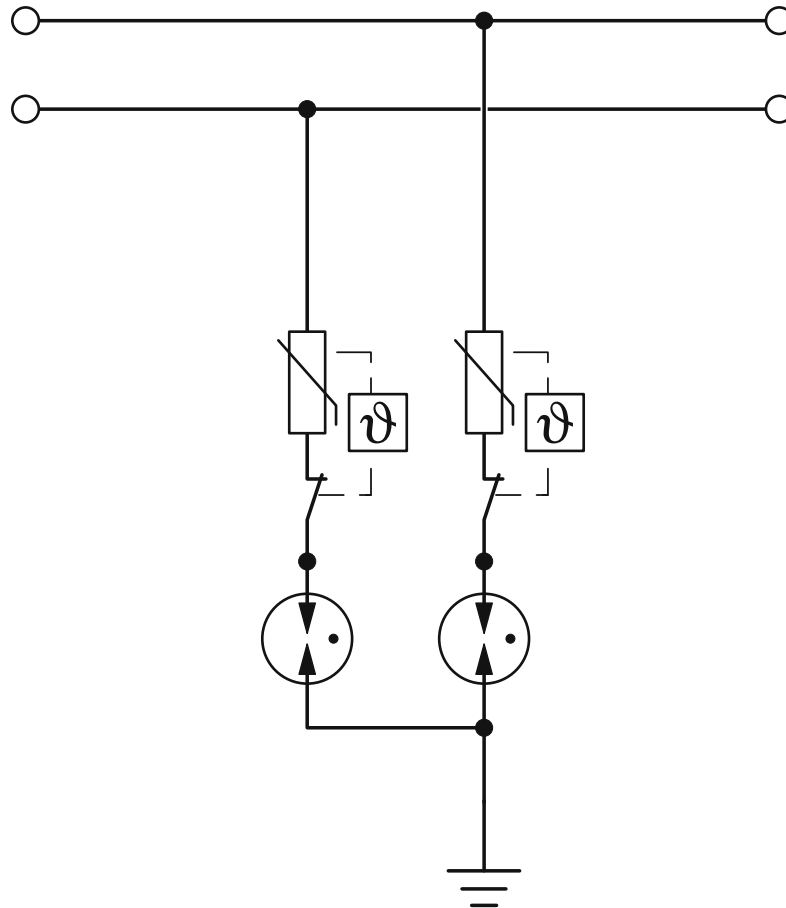


Figure relates to the product in connection with the terminal blocks PT 2,5-MT-CLT

# CLT-10P/2-VF-230V-I-P - Surge protection plug



1088564

<https://www.phoenixcontact.com/gb/products/1088564>

## Classifications

### ECLASS

ECLASS-11.0	27130810
ECLASS-13.0	27171602

### ETIM

ETIM 9.0	EC001625
----------	----------

### UNSPSC

UNSPSC 21.0	39121600
-------------	----------

# CLT-10P/2-VF-230V-I-P - Surge protection plug



1088564

<https://www.phoenixcontact.com/gb/products/1088564>

## Environmental product compliance

### EU RoHS

Fulfills EU RoHS substance requirements	Yes, No exemptions
---	--------------------

### China RoHS

Environment friendly use period (EFUP)	EFUP-E
	No hazardous substances above the limits

### EU REACH SVHC

REACH candidate substance (CAS No.)	No substance above 0.1 wt%
-------------------------------------	----------------------------

Phoenix Contact 2024 © - all rights reserved  
<https://www.phoenixcontact.com>

PHOENIX CONTACT Ltd  
Halesfield 13, Telford  
Shropshire, TF7 4PG  
01952 681700  
[info@phoenixcontact.co.uk](mailto:info@phoenixcontact.co.uk)