

# PT 4-BE - Surge protection base-element



2839402

<https://www.phoenixcontact.com/gb/products/2839402>

Please be informed that the data shown in this PDF document is generated from our online catalog. Please find the complete data in the user documentation. Our general terms of use for downloads are valid.



Base element for protective plug PT with protective circuit for a 4-wire floating signal circuit, bridge between the connections 3-4 (GND) and 9-10, for mounting on NS 35/7.5 and NS 35/15, housing width: 17.5 mm

## Your advantages

- Maximum ease of maintenance, thanks to the 2-piece design
- Easy selection for all possible demands in MCR applications with a complete product portfolio
- The signal is not influenced during maintenance work, thanks to the impedance-neutral insertion and removal of protective plugs

## Commercial data

Item number	2839402
Packing unit	10 pc
Minimum order quantity	1 pc
Sales key	CL2111
Product key	CL2111
Catalog page	Page 139 (C-4-2019)
GTIN	4017918182816
Weight per piece (including packing)	56.5 g
Weight per piece (excluding packing)	55.85 g
Customs tariff number	85363010
Country of origin	DE

# PT 4-BE - Surge protection base-element

2839402

<https://www.phoenixcontact.com/gb/products/2839402>

## Technical data

### Notes

Notes on operation	When the <b>PT...-BE</b> base elements are used, the connections 9/10 (GND) are directly connected to the DIN rail via the metal mounting foot.
--------------------	---

### Product properties

Product type	Base element
Product family	PLUGTRAB PT
Type	Base element, DIN rail mounting
Number of positions	4
Wire pairs per module	2

### Data management status

Article revision	21
------------------	----

### Insulation characteristics

Overvoltage category	III
Pollution degree	2

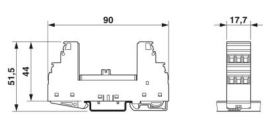
### Electrical properties

Nominal voltage $U_N$	110 V AC
-----------------------	----------

### Connection data

Connection method	Screw connection
Screw thread	M3
Tightening torque	0.5 Nm
Conductor cross section flexible	0.2 mm <sup>2</sup> ... 2.5 mm <sup>2</sup>
Conductor cross section rigid	0.2 mm <sup>2</sup> ... 4 mm <sup>2</sup>
Conductor cross section AWG	24 ... 12

### Dimensions

Dimensional drawing	
Width	17.7 mm
Height	90 mm
Depth	51.5 mm (incl. DIN rail 7.5 mm)
Horizontal pitch	1 Div.

### Material specifications

Color	black (RAL 9005) Copper color
-------	----------------------------------

# PT 4-BE - Surge protection base-element



2839402

<https://www.phoenixcontact.com/gb/products/2839402>

Flammability rating according to UL 94	V-0
Housing material	PA 6.6

## Mechanical properties

### Mechanical data

Open side panel	No
-----------------	----

## Protective circuit

Maximum continuous voltage $U_C$	60 V DC
	120 V AC
Rated current	150 mA DC (80 °C / 60 V)
	500 mA DC (80 °C / 40 V)
	2 A AC (80 °C)
	1.6 A DC (with PT 2X2-FF-ST)
Resistance per path	0 $\Omega$
Surge protection fault message	none
Max. required back-up fuse	160 mA DC (T / 60 V)
	500 mA DC (T / 40 V)
	2 A AC (T)
	1.6 A (FF, with PT 2X2-FF-ST)

## Environmental and real-life conditions

### Ambient conditions

Degree of protection	IP20
Ambient temperature (operation)	-40 °C ... 85 °C
Ambient temperature (storage/transport)	-40 °C ... 85 °C
Altitude	$\leq 2000$ m (amsl)

## Standards and regulations

Standards/specifications	IEC 61643-21
Note	2000 + corrigendum 2001 + A1:2008, modified + A2:2012
Standards/specifications	EN 61643-21
Note	2001 + A1:2009 + A2:2013

## Mounting

Mounting type	DIN rail: 35 mm
---------------	-----------------

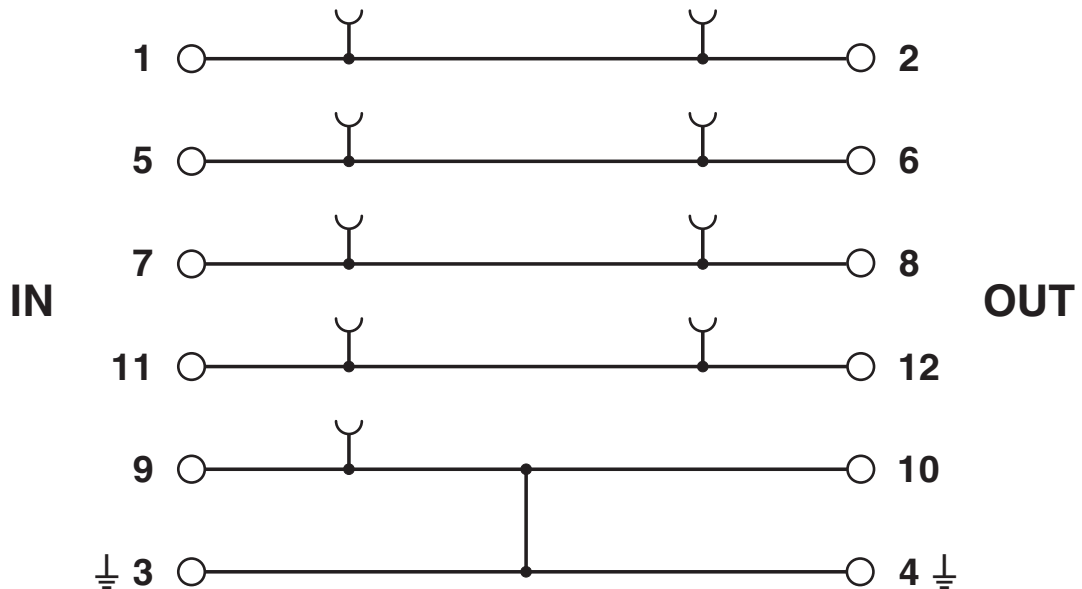
# PT 4-BE - Surge protection base-element

2839402

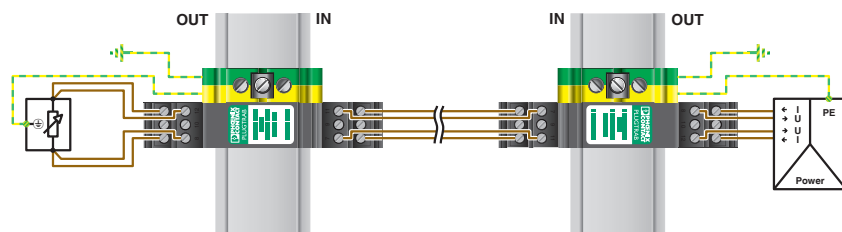
<https://www.phoenixcontact.com/gb/products/2839402>

## Drawings

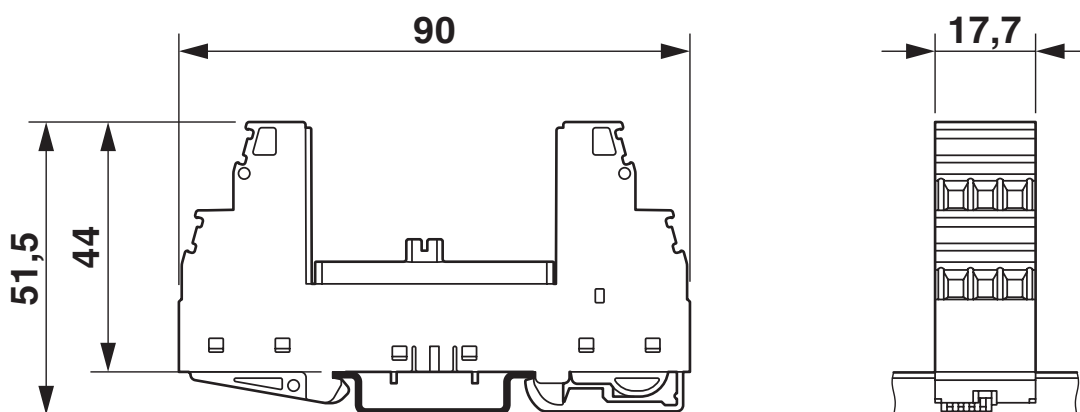
Circuit diagram



Application drawing



Dimensional drawing



# PT 4-BE - Surge protection base-element



2839402

<https://www.phoenixcontact.com/gb/products/2839402>

## Approvals

To download certificates, visit the product detail page: <https://www.phoenixcontact.com/gb/products/2839402>



**EAC**

Approval ID: EAC-Zulassung



**DNV GL**

Approval ID: TAE00001N6



**LR**

Approval ID: LR2371832TA



**EAC**

Approval ID: RU C-DE.\*09.B.00169



**UL Listed**

Approval ID: FILE E 138168



**cUL Listed**

Approval ID: FILE E 333250



**UL Listed**

Approval ID: FILE E 333250

**cULus Listed**

# PT 4-BE - Surge protection base-element



2839402

<https://www.phoenixcontact.com/gb/products/2839402>

## Classifications

### ECLASS

ECLASS-11.0	27130803
ECLASS-13.0	27171592

### ETIM

ETIM 9.0	EC002497
----------	----------

### UNSPSC

UNSPSC 21.0	39121600
-------------	----------

# PT 4-BE - Surge protection base-element



2839402

<https://www.phoenixcontact.com/gb/products/2839402>

## Environmental product compliance

### EU RoHS

Fulfills EU RoHS substance requirements	Yes, No exemptions
---	--------------------

### China RoHS

Environment friendly use period (EFUP)	EFUP-E
	No hazardous substances above the limits

### EU REACH SVHC

REACH candidate substance (CAS No.)	No substance above 0.1 wt%
-------------------------------------	----------------------------

Phoenix Contact 2024 © - all rights reserved  
<https://www.phoenixcontact.com>

PHOENIX CONTACT Ltd  
Halesfield 13, Telford  
Shropshire, TF7 4PG  
01952 681700  
[info@phoenixcontact.co.uk](mailto:info@phoenixcontact.co.uk)