

BLT-T2-1S-320-UT - Type 2 surge arrester



2906101

<https://www.phoenixcontact.com/gb/products/2906101>

Please be informed that the data shown in this PDF document is generated from our online catalog. Please find the complete data in the user documentation. Our general terms of use for downloads are valid.



Type 2 surge arrester for universal mounting in lights, cable connection boxes, installation boxes, sill-type trunking, underfloor installations or direct installation in the end device. Specifically for insulation class I with optical fault indication. Installation in branch or through wiring. Version: 230 V AC

Your advantages

- Optimal additional protection of the building installation for longer service life and increased availability of the end devices
- Optimal protection of the power supply for longer service life and increased availability of the LED lighting
- Excellent level of information provided, thanks to shutdown function for the load circuit in the event of an error
- Simple condition monitoring without voltage on the device with a mechanical/visual status indicator
- Flexible installation, thanks to mounting via integrated elongated holes
- Stub or through-wiring connection
- Flexible installation
- Fixed via integrated elongated holes
- Compact design
- Optical status indicator via LED
- L' signalizes the failure of the surge protective device due to disconnection of the power supply to the lights
- Universal use for street, tunnel or object lighting

Commercial data

Item number	2906101
Packing unit	10 pc
Minimum order quantity	1 pc
Sales key	CL1361
Product key	CL1361
Catalog page	Page 76 (C-4-2019)
GTIN	4055626058085
Weight per piece (including packing)	49.23 g
Weight per piece (excluding packing)	44.84 g
Customs tariff number	85363030
Country of origin	CN

BLT-T2-1S-320-UT - Type 2 surge arrester

2906101

<https://www.phoenixcontact.com/gb/products/2906101>

Technical data

Product properties

Product type	Surge arrester
IEC test classification	II / III
	T2 / T3
EN type	T2 / T3
IEC power supply system	TN-S
	TT
Type	Installation module
Surge protection fault message	optical

Data management status

Article revision	04
------------------	----

Insulation characteristics

Protection class	I
Overvoltage category	III
Pollution degree	2

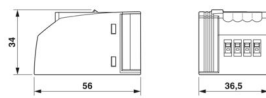
Electrical properties

Nominal frequency f_N	50 Hz (60 Hz)
Nominal voltage U_N	100 V AC ... 277 V AC (TN-S)
	100 V AC ... 277 V AC (TT)
Dielectric strength	< 6 kV

Connection data

Connection method	Screw terminal blocks
Screw thread	M3
Tightening torque	0.6 Nm
Conductor cross section flexible	0.2 mm ² ... 2.5 mm ²
Conductor cross section rigid	0.2 mm ² ... 4 mm ²

Dimensions

Dimensional drawing	
Width	36.5 mm
Height	56 mm
Depth	34 mm

Material specifications

Color	light gray (RAL 7035)
-------	-----------------------

BLT-T2-1S-320-UT - Type 2 surge arrester



2906101

<https://www.phoenixcontact.com/gb/products/2906101>

Flammability rating according to UL 94	V-0
CTI value of material	600
Insulating material	PA 6.6
Material group	I
Housing material	PA 6.6

Protective circuit

Mode of protection	L-N
	L-PE
	N-PE
Direction of action	1L-N & N-PE
Nominal voltage U_N	100 V AC ... 277 V AC (TN-S)
	100 V AC ... 277 V AC (TT)
Nominal frequency f_N	50 Hz (60 Hz)
Maximum continuous operating voltage U_C (L-N)	320 V AC
Maximum continuous operating voltage U_C (L-PE)	305 V AC
Maximum continuous operating voltage U_C (N-PE)	305 V AC
Rated load current I_L	16 A
Residual current I_{PE}	$\leq 5 \mu\text{A}$
Nominal discharge current I_n (8/20) μs (L-N)	5 kA
Nominal discharge current I_n (8/20) μs (L-PE)	5 kA
Nominal discharge current I_n (8/20) μs (N-PE)	10 kA
Maximum discharge current I_{max} (8/20) μs (L-N)	10 kA
Maximum discharge current I_{max} (8/20) μs (L-PE)	10 kA
Maximum discharge current I_{max} (8/20) μs (N-PE)	20 kA
Combination wave U_{OC}	10 kV
Total discharge current I_{total} (8/20) μs	20 kA
Follow current interrupt rating I_{fi} (N-PE)	100 A (305 V AC)
Short-circuit current rating I_{SCCR}	3 kA
Voltage protection level U_p (L-N)	$\leq 1.3 \text{ kV}$
Voltage protection level U_p (L-PE)	$\leq 1.5 \text{ kV}$
Voltage protection level U_p (N-PE)	$\leq 1.4 \text{ kV}$
Residual voltage U_{res} (L-N)	$\leq 1.3 \text{ kV}$ (at I_n)
	$\leq 1.3 \text{ kV}$ (at U_{OC})
TOV behavior at U_T (L-N)	400 V AC (5 s / withstand mode)
	528 V AC (120 min / safe failure mode)
TOV behavior at U_T (L-PE)	528 V AC (5 s / withstand mode)
	528 V AC (120 min / safe failure mode)
	1505 V AC (200 ms / withstand mode)
TOV behavior at U_T (N-PE)	1200 V AC
Response time t_A (L-N)	$\leq 25 \text{ ns}$
Response time t_A (N-PE)	$\leq 100 \text{ ns}$
Max. backup fuse with V-type through wiring	16 A (MCB B/C)
Max. backup fuse with branch wiring	16 A (MCB B/C)

BLT-T2-1S-320-UT - Type 2 surge arrester



2906101

<https://www.phoenixcontact.com/gb/products/2906101>

Environmental and real-life conditions

Ambient conditions

Degree of protection	IP20
Ambient temperature (operation)	-40 °C ... 80 °C
Ambient temperature (storage/transport)	-40 °C ... 80 °C
Altitude	≤ 2000 m (amsl)
Permissible humidity (operation)	5 % ... 95 %

Standards and regulations

Standards/specifications	IEC 61643-11
Note	2011
Standards/specifications	EN 61643-11
Note	2012

Mounting

Mounting type	4 mm screw
---------------	------------

BLT-T2-1S-320-UT - Type 2 surge arrester

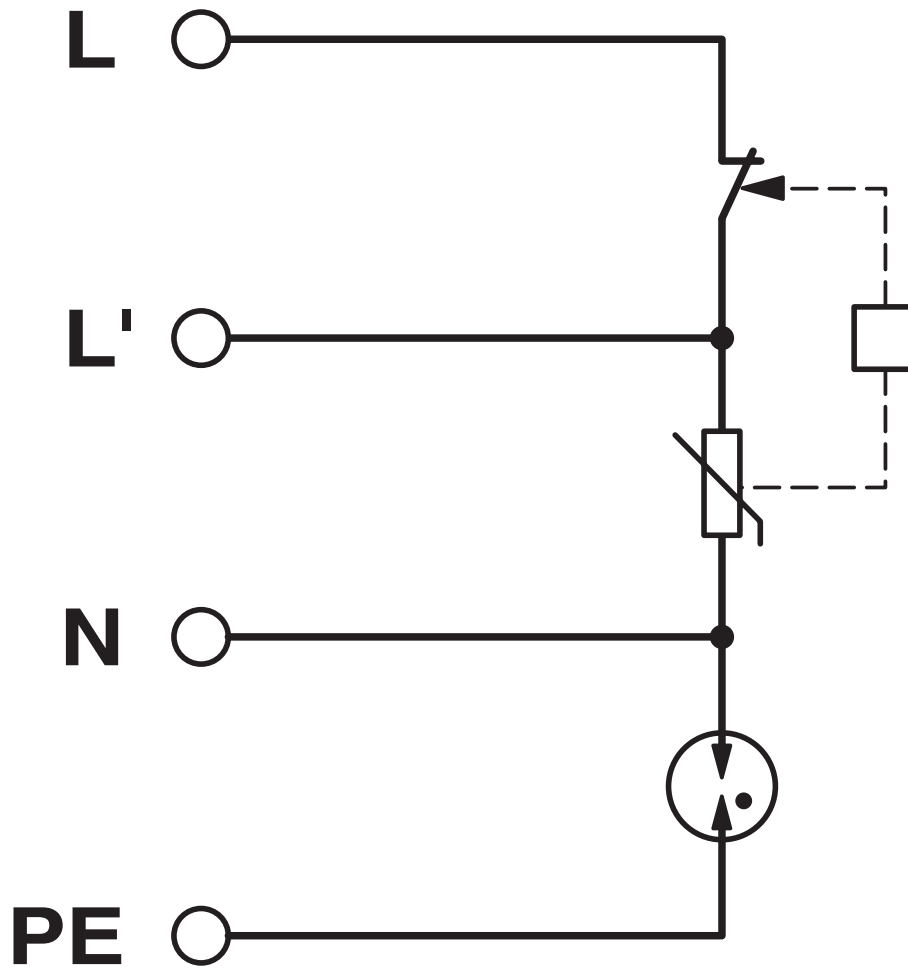


2906101

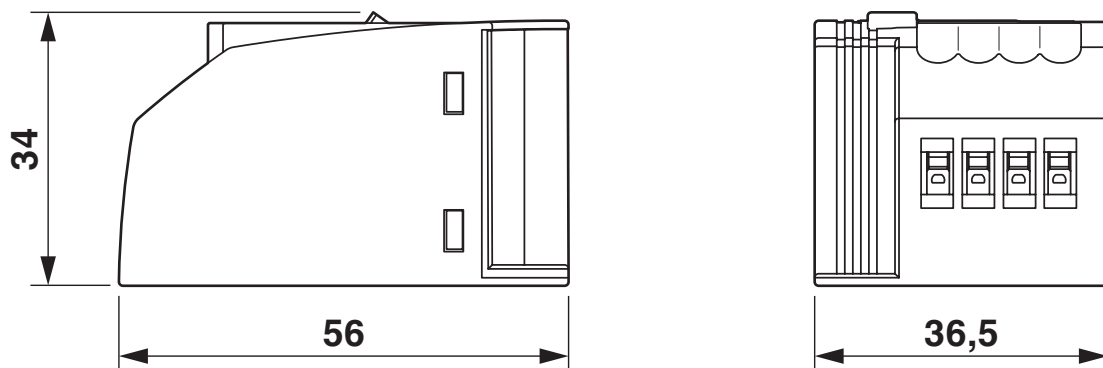
<https://www.phoenixcontact.com/gb/products/2906101>

Drawings

Circuit diagram



Dimensional drawing



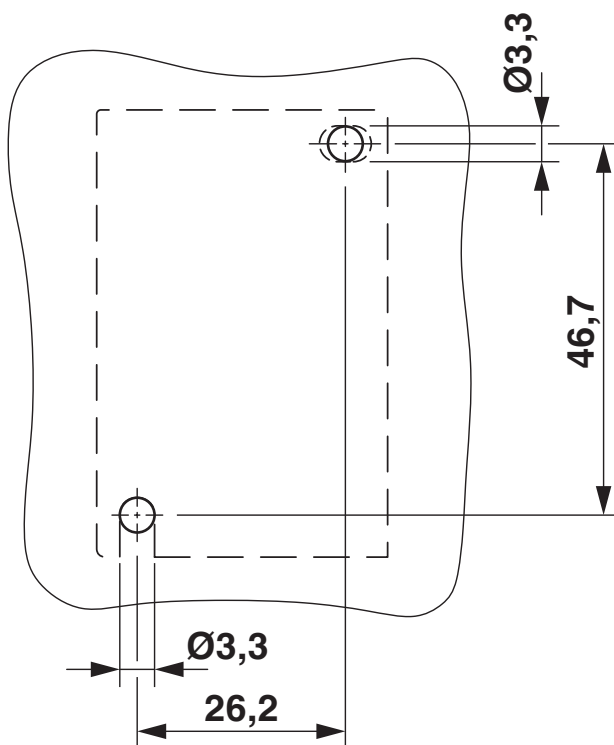
BLT-T2-1S-320-UT - Type 2 surge arrester

2906101

<https://www.phoenixcontact.com/gb/products/2906101>



Drilling plan/solder pad geometry



BLT-T2-1S-320-UT - Type 2 surge arrester



2906101

<https://www.phoenixcontact.com/gb/products/2906101>

Approvals

To download certificates, visit the product detail page: <https://www.phoenixcontact.com/gb/products/2906101>



IECEE CB Scheme

Approval ID: NL-36565



EAC

Approval ID: RU C-DE.*09.B.00169

CCA

Approval ID: NTR-NL 7418



KEMA-KEUR

Approval ID: 2179938.01

UAE-RoHS

Approval ID: 23-10-88350

BLT-T2-1S-320-UT - Type 2 surge arrester



2906101

<https://www.phoenixcontact.com/gb/products/2906101>

Classifications

ECLASS

ECLASS-11.0	27130805
ECLASS-13.0	27171202

ETIM

ETIM 9.0	EC000941
----------	----------

UNSPSC

UNSPSC 21.0	39121600
-------------	----------

BLT-T2-1S-320-UT - Type 2 surge arrester



2906101

<https://www.phoenixcontact.com/gb/products/2906101>

Environmental product compliance

EU RoHS

Fulfills EU RoHS substance requirements	Yes, No exemptions
---	--------------------

China RoHS

Environment friendly use period (EFUP)	EFUP-E
	No hazardous substances above the limits

EU REACH SVHC

REACH candidate substance (CAS No.)	No substance above 0.1 wt%
-------------------------------------	----------------------------

Phoenix Contact 2024 © - all rights reserved
<https://www.phoenixcontact.com>

PHOENIX CONTACT Ltd
Halesfield 13, Telford
Shropshire, TF7 4PG
01952 681700
info@phoenixcontact.co.uk