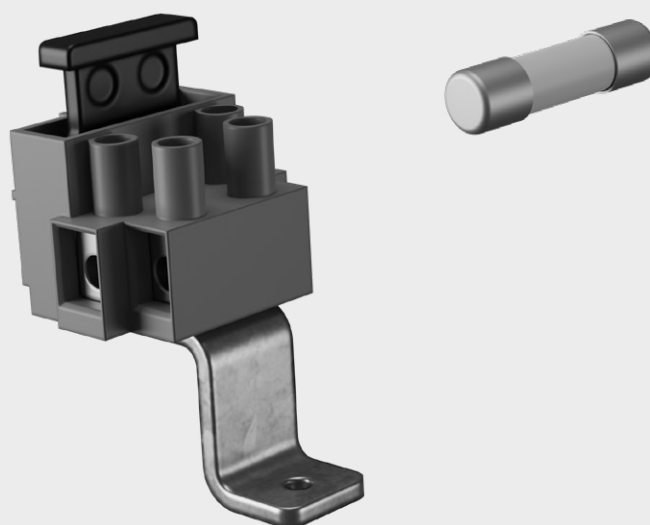


LINE FUSE



Protection against overvoltages

The fuse for the branch line is designed to protect the main bus against any overvoltages arising from the side of the branch line or connection line.

Technical data

Fuse value 0,5A; 1A; 2,5A; 3,15A

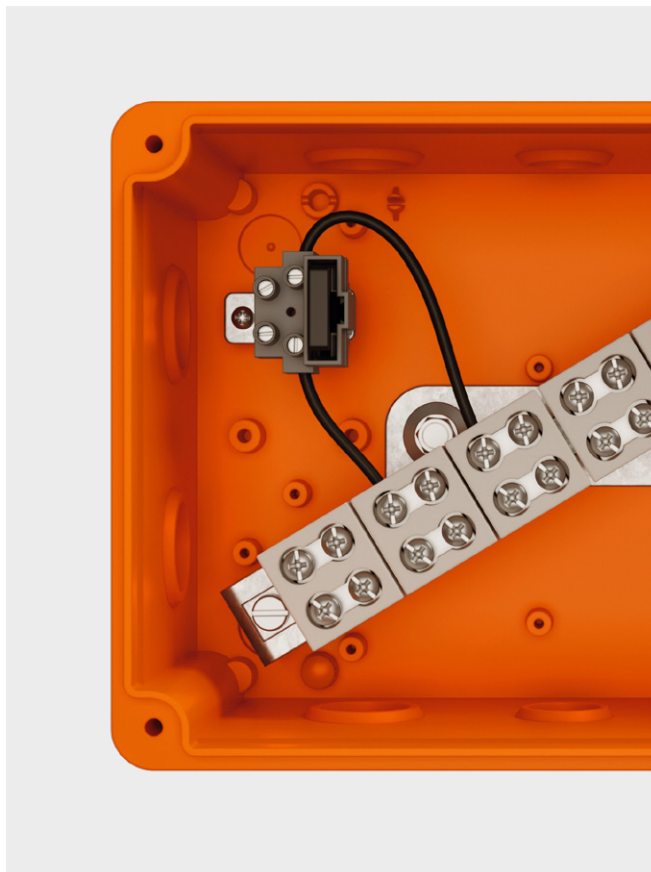
Max cross-section for fuse housing 2,5 mm²

Body made of polycarbonate, halogen-free

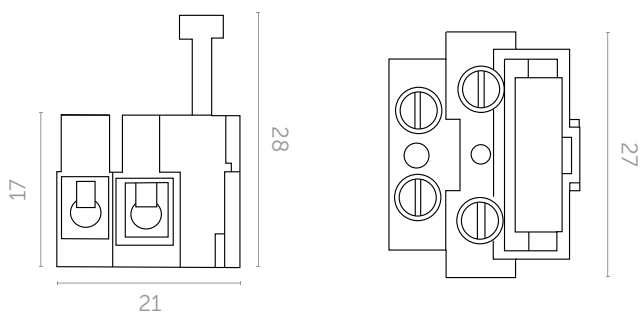
Mounting inside M-BOX or L-BOX

Ability to work in temperature from -25 to 55 [°C]

Dimensions: 27x21x28 [mm]



Dimensions [mm]



Configurations

NAME	CODE	FUSE VALUE
Fuse housing for M-BOX and L-BOX	FSB100	n/a
Distribution line fuse 0,5A	FSB101	0,5 [A]
Distribution line fuse 1A	FSB102	1 [A]
Distribution line fuse 2,5A	FSB103	2,5 [A]
Distribution line fuse 3,15A	FSB104	3,15 [A]