

AXOR Starck
Single lever bath mixer for concealed installation with pin handle
 Finish: **Chrome** Article Number: **10416000**



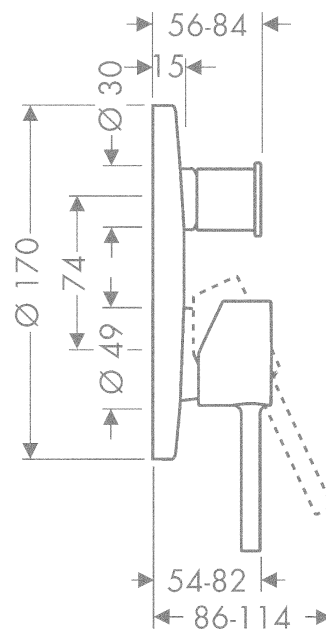
product features

- 2 functions
- flow rate upper outlet: 21 l/min
- flow rate lower outlet: 29 l/min
- maximum flow rate at 3 bar: 29 l/min
- ceramic cartridge
- temperature limitation adjustable
- diverter with automatic resetting
- suitable for continuous flow water heaters
- connection type: basic set
- wall-mounted
- no additional maintenance opening required

Product image



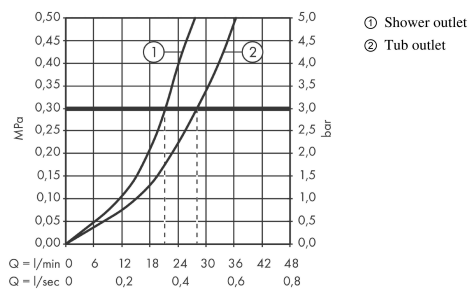
Scale drawing



AXOR Starck
Single lever bath mixer for concealed installation with pin handle
 Finish: **Chrome** Article Number: **10416000**



Flowchart

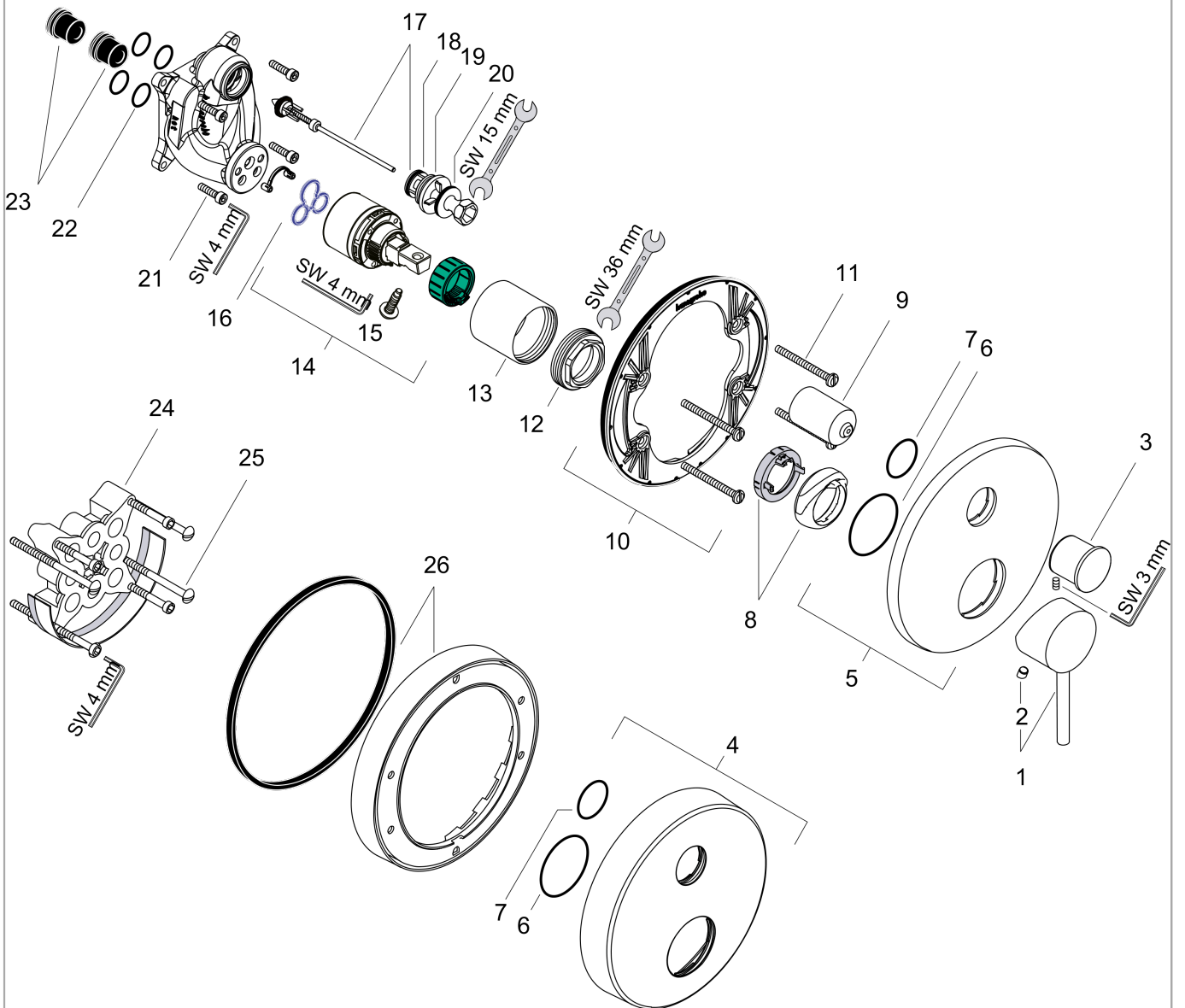


AXOR Starck
Single lever bath mixer for concealed installation with pin handle
 Finish: **Chrome** Article Number: **10416000**



Exploded Drawing

Year of production: >01/16



AXOR Starck
Single lever bath mixer for concealed installation with pin handle
 Finish: **Chrome** Article Number: **10416000**



Spare part list

Year of production: >01/16

Pos.		Article Number	PC	PU
1	handle	10490000	14	1
2	screw cover	96338000	1	1
3	diverter knob cpl.	96934000	10	1
4	escutcheon height = 33 mm (when wall is not deep enough).	14961000	99	1
5	escutcheon Ø 170 mm	95806000	14	1
6	O-Ring 48x3	95508000	1	1
7	O-ring 29x3	98371000	2	1
8	flange (Rotating Protector)	96395000	9	1
9	sleeve	96448000	9	1
10	sub plate	96447000	10	1
11	set of fixing screws	96454000	3	1
12	nut	96461000	8	1
13	sleeve	95980000	12	1
14	cartridge, assy	92730000	11	1
15	locking screw for handle	95140000	2	1
16	seal	95008000	3	1
17	selector assy	95014000	11	1
18	O-ring 16x2,3	98207000	1	1
19	O-ring 20x2,5	92602000	2	1
20	O-ring 21x2	98205000	2	1
21	set of screws	96525000	3	1
22	O-ring 16x2	98133000	1	1
23	noise reduction	94073000	7	1
24	extension 25 mm	13595000	99	1
25	set of fixing screws	97747000	1	1
26	extension 22 mm (Ø 170 mm)	13596000	99	1
a	concealed item	01800180	99	1
b	adapter for exchanged connections	93181000	18	1
c	spring for exchanged connections	96365000	9	1
d	fixation set	96615000	99	1