

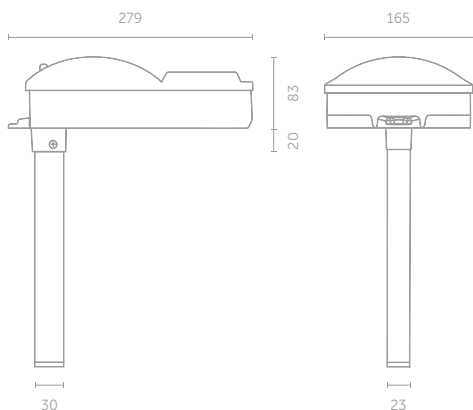
Duct smoke detector DS is used for discovering early stage of fire in the ventilation ducts. It has optical sensor which ensure fast and reliable fire detection. Device have double sided built-in shortcircuit isoator. These ensure constant loop works, even in case of damage. It also lets you easy find place of that damage. Moreover detectors constantly measures dirtyness level and control units - if needed shows information about neccesity of their cleening. Dirtyness level is also take to acount of fire detection, makes detection more reliable.



FEATURES OF THE DUCT SMOKE DETECTOR DS

- > sensitivity according to EN54
- > dirt level monitoring
- > LED alarm indication
- > accessory external status indicator
- > integrated short-circuit isolator
- > operation in addressable systems

DIMENSIONS [mm]



TECHNICAL DATA

FEATURE	DUCT SMOKE DETECTOR DS		
SMOKE DETECTION	OPTICAL, SCATTERING		
TEST FIRES DETECTING	ACCORDING TO EN54-7		
SUPPLY VOLTAGE	24 [VDC] +- 25 %		
QUIESCENT CURRENT CONSUMPTION	<160 [uA]		
ALARM CURRENT CONSUMPTION	<500 [uA]		
AIR VELOCITY IN THE DUCT	1 UP TO 20 [m / s]		
VENTURI TUBE LENGTH	0.6 UP TO 2.8 [m]		
OPERATING TEMPERATURE	-20 [°C] DO 50 [°C]		
IP HOUSING	IP54		
DIMENSIONS	279x165x83 [mm]		
PRODUCT CODE	FSD100	FSD101	FSD102
VENTURI TUBE LENGTH [m]	0,6	1,5	2,8