

TYPE L-BOX



Technical data

Maintaining electrical functions E30 – E90

Body made of polycarbonate, halogen-free

High degree of protection IP65

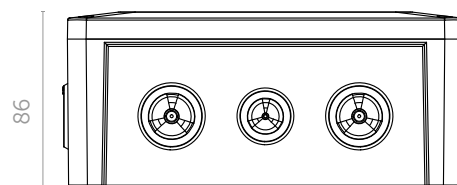
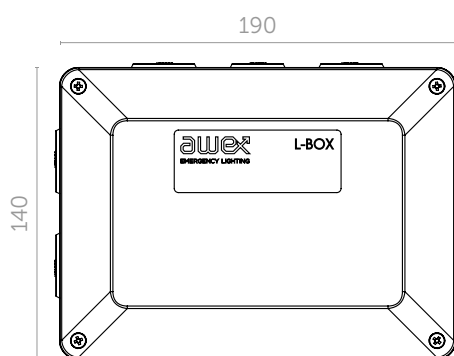
Through holes with a diameter of 8x25 [mm] and 2x20 [mm]

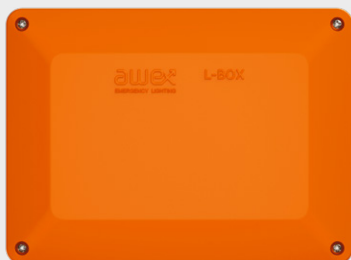
Mounting surfaces: ceilings, cable trays

Ability to work in temperature from -25 to 55 [°C]

Dimensions: 140x190x86 [mm]

Dimensions [mm]





L-BOX v1p



L-BOX view of horizontal connector orientation

L-BOX v2s



L-BOX view of oblique connector orientation

L-BOX v2s with fuse



L-BOX view of oblique connector orientation

Configurations

NAME	CODE	MAINTAINING ELECTRICAL FUNCTION	MAX CROSS-SECTION [mm ²]	CONNECTOR ORIENTATION	NUMBER OF TERMINAL BLOCKS	NUMBER OF CONNECTORS	WEIGHT [g]
Fire resistance wiring L- BOX v1p	FSB009	E90	6	horizontal	8	32	530
Fire resistance wiring L-BOX v1s	FSB010	E60	6	oblique	8	32	550
Fire resistance wiring L-BOX v2s	FSB012	E90	10	oblique	6	24	590
Fire resistance wiring L-BOX v3p	FSB013	E90	16	horizontal	6	14	570
Fire resistance wiring L-BOX v3s	FSB014	E60	16	oblique	6	14	590
Fire resistance wiring L-BOX v4p	FSB015	E90	16	horizontal	5	20	650
Fire resistance wiring L-BOX v4s	FSB016	E30	16	oblique	5	20	660
Fire resistance wiring L-BOX v5p	FSB017	E60	4	horizontal	12	24	520
Fire resistance wiring L-BOX v6p	FSB019	E30	4	horizontal	12	24	520
Fire resistance wiring L-BOX v6s	FSB020	E60	4	oblique	12	24	540
Fire resistance wiring L-BOX v7p	FSB021	E90	10	horizontal	7	14	510
Fire resistance wiring L-BOX v7s	FSB022	E90	10	oblique	7	14	630