

TYPE M-BOX



Technical data

Maintaining electrical functions E30 – E90

Body made of polycarbonate, halogen-free

High degree of protection IP65

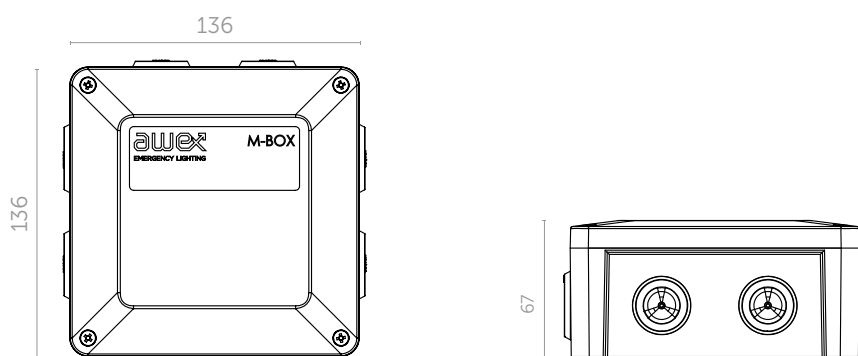
Through holes with a diameter of 4x25 [mm] and 4x20 [mm]

Mounting surfaces: ceilings, cable trays

Ability to work in temperature from -25 to 55 [°C]

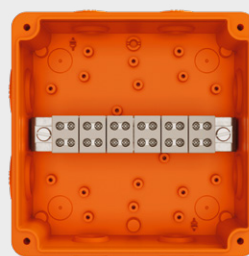
Dimensions: 136x136x67 [mm]

Dimensions [mm]



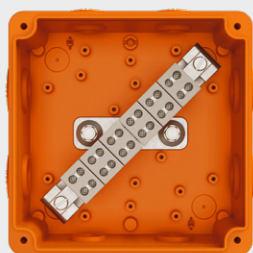


M-BOX v1p



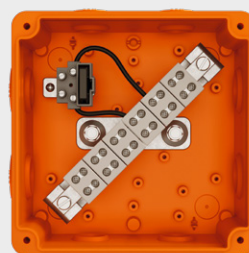
M-BOX view of horizontal connector orientation

M-BOX v1s



M-BOX view of oblique connector orientation

M-BOX v1s with fuse



M-BOX view of oblique connector orientation

Configurations

NAME	CODE	MAINTAINING ELECTRICAL FUNCTION	MAX CROSS-SECTION [mm ²]	CONNECTOR ORIENTATION	NUMBER OF TERMINAL BLOCKS	NUMBER OF CONNECTORS	WEIGHT [g]
Fire resistance wiring M-BOX v1p	FSB001	E60	6	horizontal	6	24	380
Fire resistance wiring M-BOX v1s	FSB002	E90	6	oblique	6	24	390
Fire resistance wiring M-BOX v2p	FSB003	E60	4	horizontal	6	12	340
Fire resistance wiring M-BOX v3p	FSB005	E90	4	horizontal	8	16	360
Fire resistance wiring M-BOX v4p	FSB007	E90	10	horizontal	4	8	400
Fire resistance wiring M-BOX v4s	FSB008	E90	10	oblique	5	10	450