

AXOR Uno

Single lever basin mixer for concealed installation wall-mounted with spout 225 mm and escutcheons

Finish: **Brushed Brass** Article Number: **38116950**



product features

- consists of: single lever basin mixer for concealed installation wall-mounted, waste set
- projection: 225 mm
- handle variant: pin handle
- spray type: normal spray
- maximum flow rate at 3 bar: 5 l/min
- ceramic cartridge
- suitable for continuous flow water heaters
- non-closing waste set
- connection type: basic set
- connection dimension: DN15
- handle can be positioned on the right or left, depending on the basic set installation
- EU taxonomy: max. 6 l/min - Substantial Contribution (SC) possible

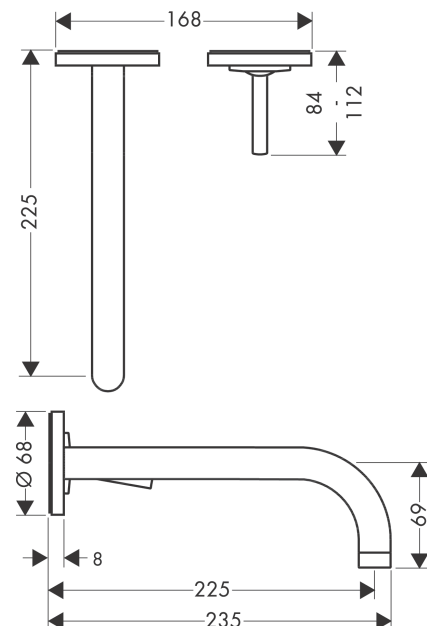
Technology



Product image



Scale drawing



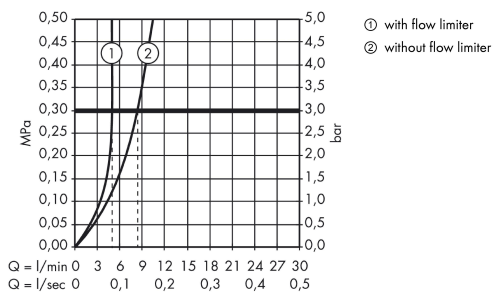
AXOR Uno

Single lever basin mixer for concealed installation wall-mounted with spout 225 mm and escutcheons

Finish: **Brushed Brass** Article Number: **38116950**



Flowchart



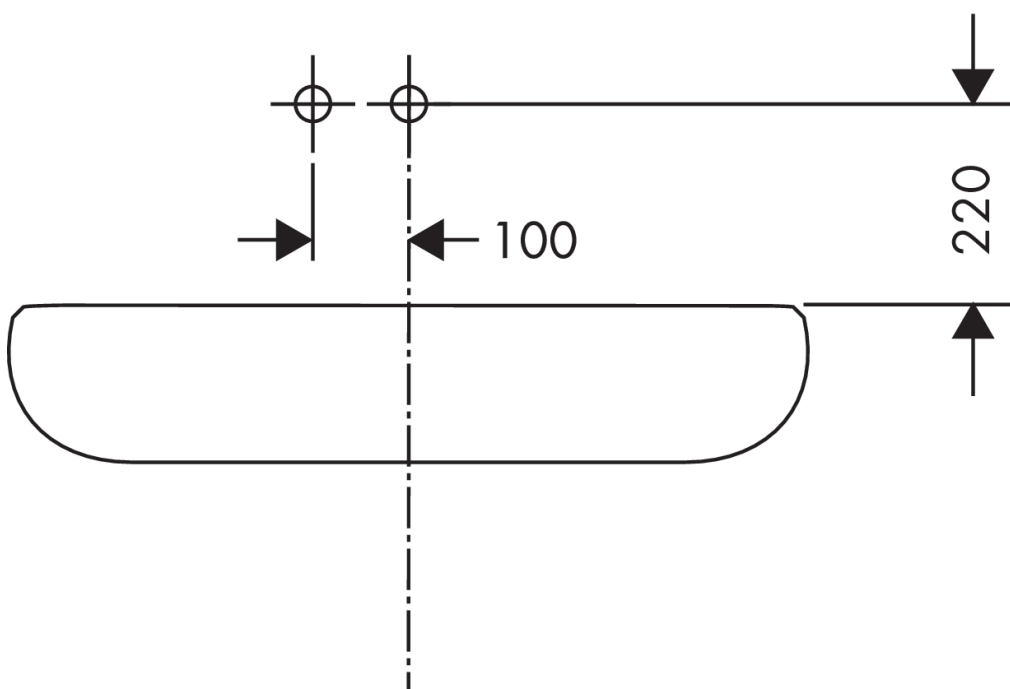
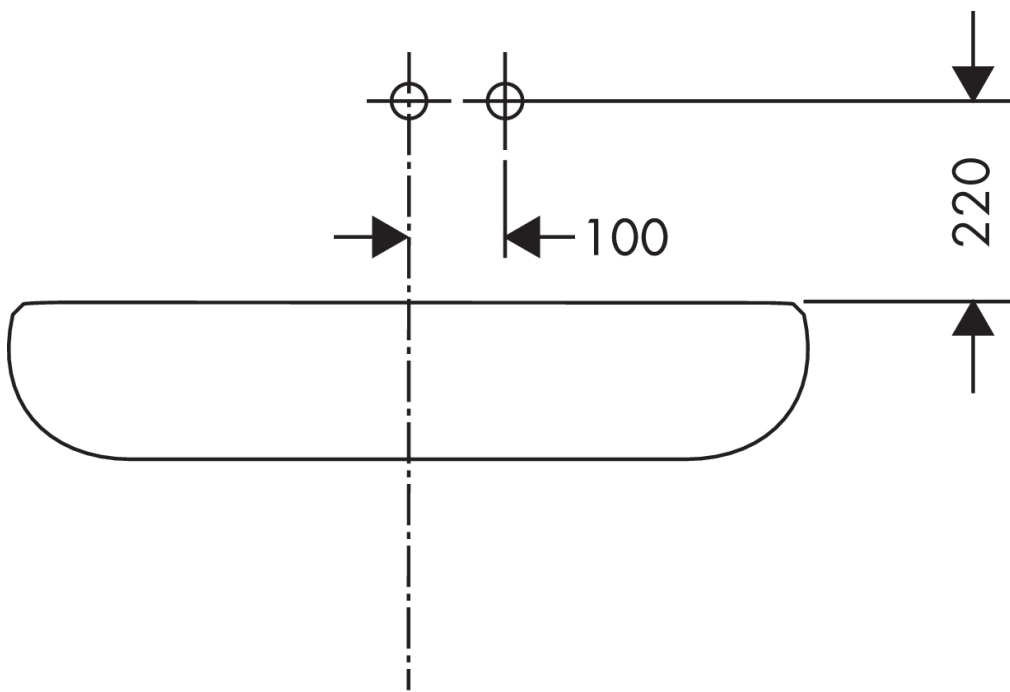
AXOR Uno

Single lever basin mixer for concealed installation wall-mounted with spout 225 mm and escutcheons

Finish: **Brushed Brass** Article Number: **38116950**



Installation examples



AXOR Uno

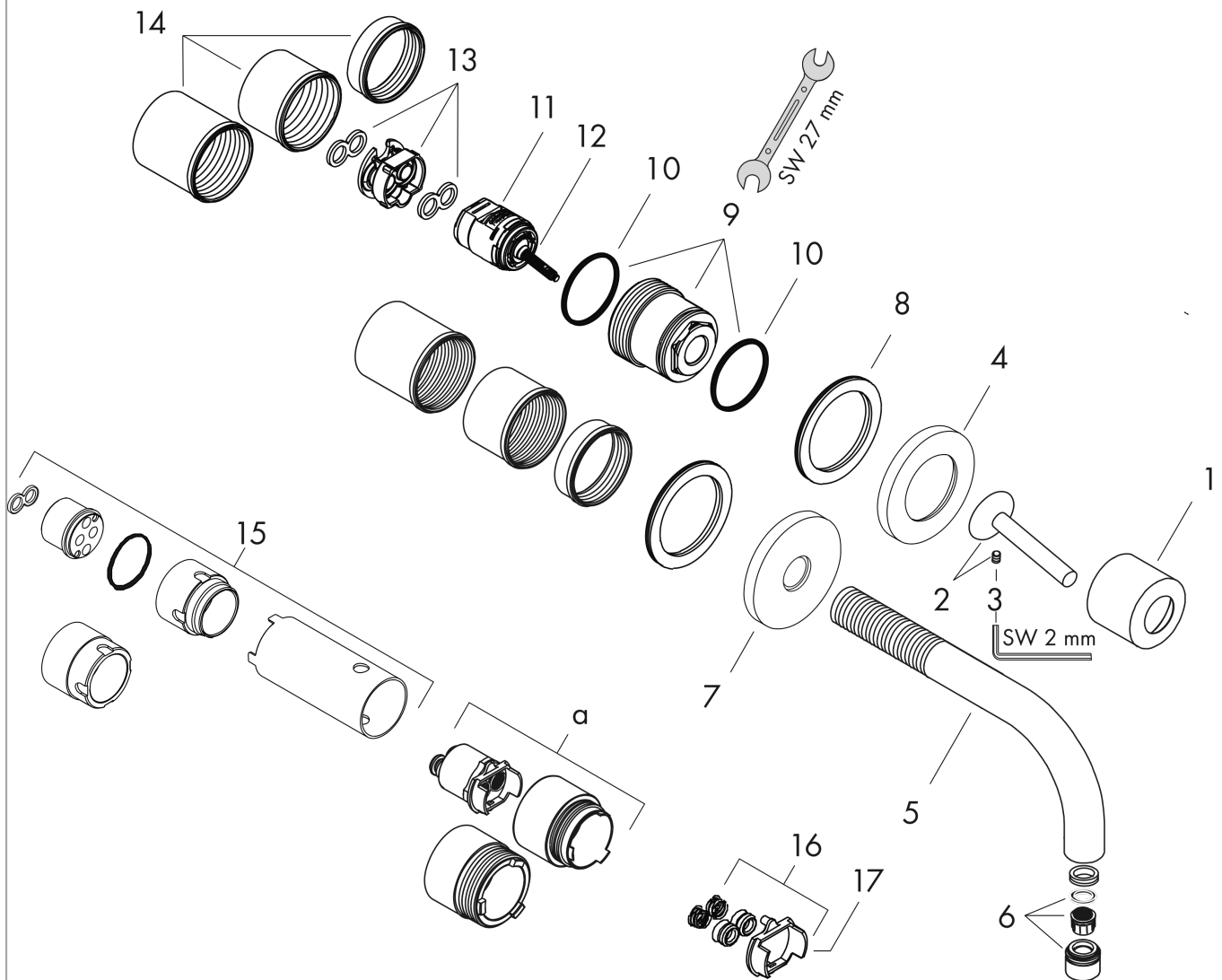
Single lever basin mixer for concealed installation wall-mounted with spout 225 mm and escutcheons

Finish: **Brushed Brass** Article Number: **38116950**



Exploded Drawing

Year of production: >11/16



AXOR Uno

Single lever basin mixer for concealed installation wall-mounted with spout 225 mm and escutcheons

Finish: **Brushed Brass** Article Number: **38116950**



Spare part list

Year of production: >11/16

Pos.		Article Number	PC	PU
1	flange	96908950	59	1
2	handle	10092950	62	1
3	hollow set screw M4x6	97767000	1	1
4	escutcheon for handle	96909950	62	1
5	spout 220 mm	97368950	66	1
6	aerator M18x1 (5 l/min)	95387000	9	1
7	escutcheon for spout	96910950	62	1
8	washer	97600000	4	1
9	nut	95645000	9	1
10	O-ring 34x2	98383000	2	1
11	cartridge, assy	96783000	13	1
12	O-ring 21,95x1,78	95169000	1	1
13	adapter for cartridge	95644000	5	1
14	fixing set	97971000	9	1
15	extension set 25 mm for 13622180	31971000	98	1
16	conversion kit	95643000	9	1
17	adapter for cartridge	97280000	2	1
a	extension set for 38111180	38982000	16	1
b	waste	50001950	98	1
c	base body	13622180	98	1
d	adapter for exchanged connections	93561000	18	1
e	service tool for disassembling the handle	92124000	15	1