

Ecostat S

Thermostat for concealed installation for 2 functions

Finish: **Brushed Black Chrome** Article Number: **15758340**



Description

product features

- volume control and diverter for 2 functions
- maximum flow rate at 3 bar: 29 l/min
- flow rate upper outlet: 28 l/min
- flow rate lower outlet: 25 l/min
- min. operating pressure: 1 bar
- max. operating pressure: 10 bar

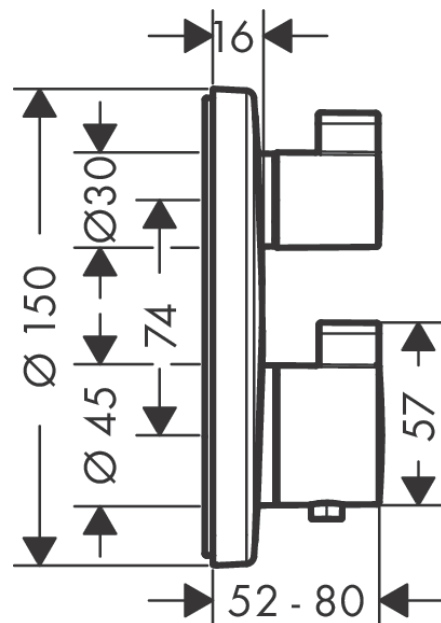
Design awards



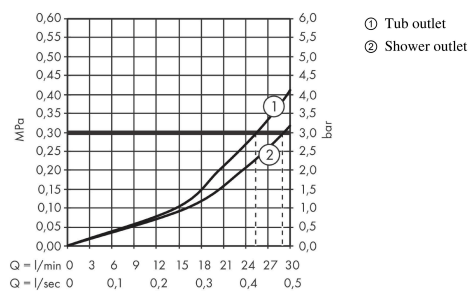
Product image



Scale drawing



Flowchart



Ecostat S

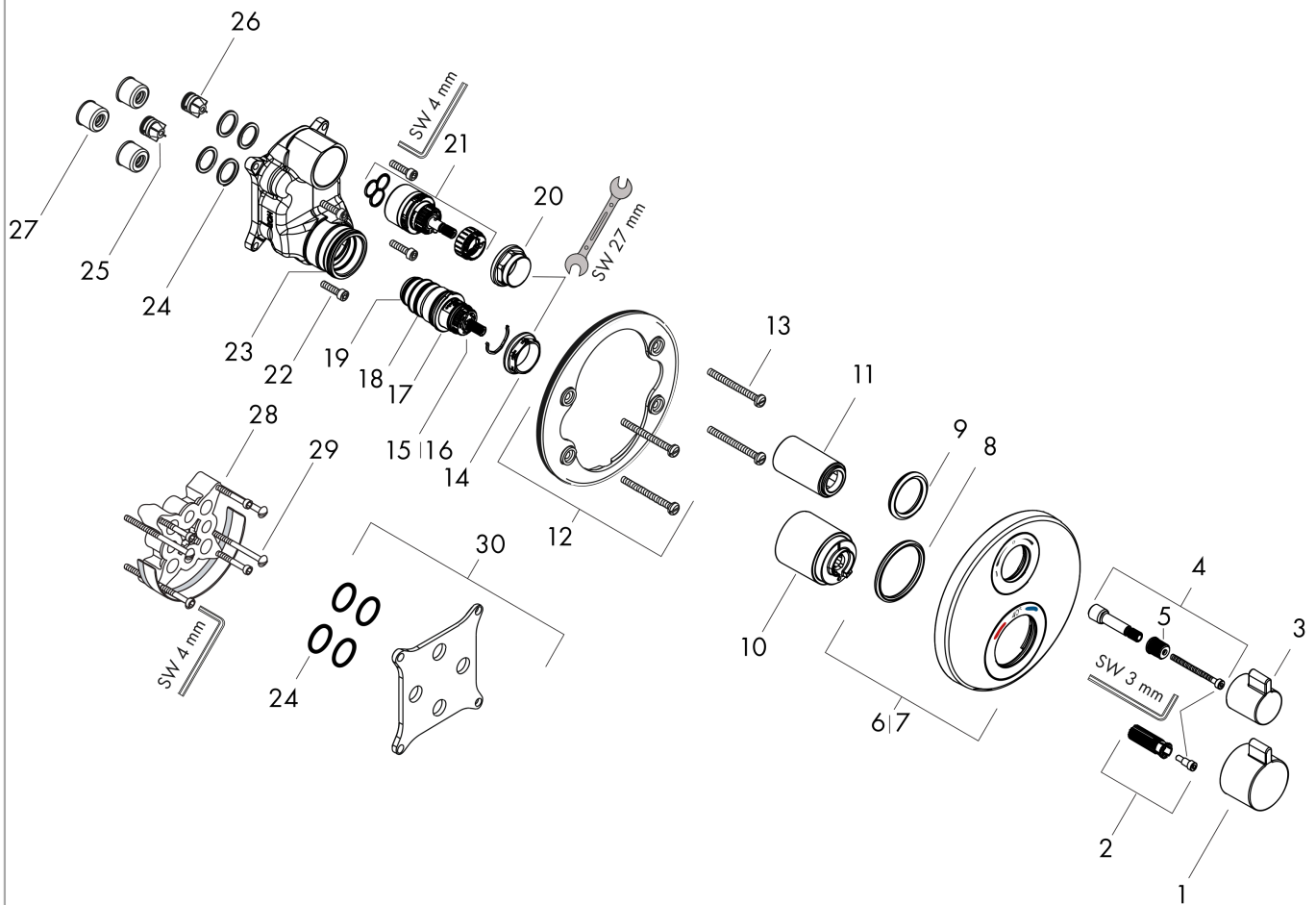
Thermostat for concealed installation for 2 functions

Finish: **Brushed Black Chrome** Article Number: **15758340**



Exploded Drawing

Year of production: >01/19



Ecostat S

Thermostat for concealed installation for 2 functions

Finish: **Brushed Black Chrome** Article Number: **15758340**



Spare part list

Year of production: >01/19

Pos.	Description	Article Number	PC	PU
1	handle for thermostat	92215340	61	1
2	handle fixing set	95843000	3	1
3	handle	92281340	60	1
4	adapter for handle	95252000	11	1
5	handle fixing set	98932000	5	1
6	escutcheon Ø 150 mm	92283340	63	1
7	escutcheon for exchanged connections	92563XXX	12	-
8	O-ring 44x4	98471000	3	1
9	O-ring 30x5	98153000	1	1
10	sleeve	92216340	58	1
11	sleeve	95253340	58	1
12	holder for escutcheon	98793000	9	1
13	set of fixing screws	96454000	3	1
14	nut	95255000	6	1
15	thermostat cartridge	98282000	14	1
16	cartridge for exchanged connections	92373000	18	1
17	O-ring 20x1,5	98197000	1	1
18	O-ring 25x1,5	98146000	1	1
19	O-ring 25x2,5	92146000	3	1
20	nut	98913000	6	1
21	shut off unit with selector	98283000	12	1
22	set of screws	96525000	3	1
23	O-ring 36x2	98156000	1	1
24	O-ring 16x2	98133000	1	1
25	non return valve (pressure-resistant up to 2 MPa)	92594000	5	1
26	set of non return valves DW 15	97350000	6	1
27	noise reduction	94073000	7	1
28	extension 25 mm	13595000	98	1
29	set of fixing screws	97747000	1	1
30	compensation set 1°	95521000	16	1
a	concealed item	01800180	98	1
b	Grease	90920000	5	1
c	brake disc	92498000	3	1