

**AXOR ShowerSolutions**  
**Thermostat for concealed installation softsquare for 2 functions**  
 Finish: **Brushed Nickel** Article Number: **36707820**



**product features**

- 2 functions
- simultaneous use of several outlets
- Select push-button on/off control for 2 outlets
- thermostat cartridge
- maximum flow rate at 3 bar: 29,7 l/min
- flow rate upper outlet: 25 l/min
- flow rate lower outlet: 23 l/min
- flow rate by simultaneous use of all outlets: 29,7 l/min
- min. operating pressure: 1 bar
- max. operating pressure: 10 bar
- Safety stop at 40 °C
- temperature limitation adjustable
- connection type: basic set
- thermostat is delivered with buttons hand shower and Rain large

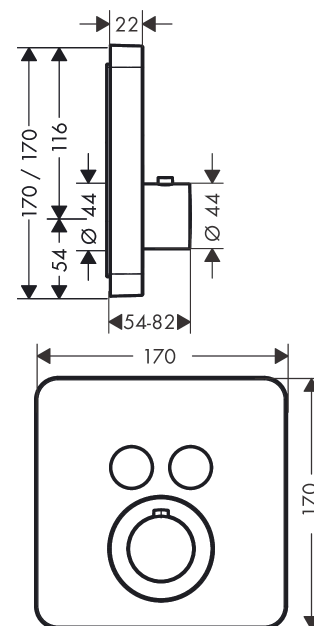
**Technology**



**Product image**



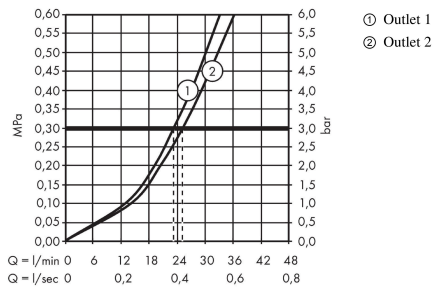
**Scale drawing**



**AXOR ShowerSolutions**  
**Thermostat for concealed installation softsquare for 2 functions**  
 Finish: **Brushed Nickel**    Article Number: **36707820**



## Flowchart

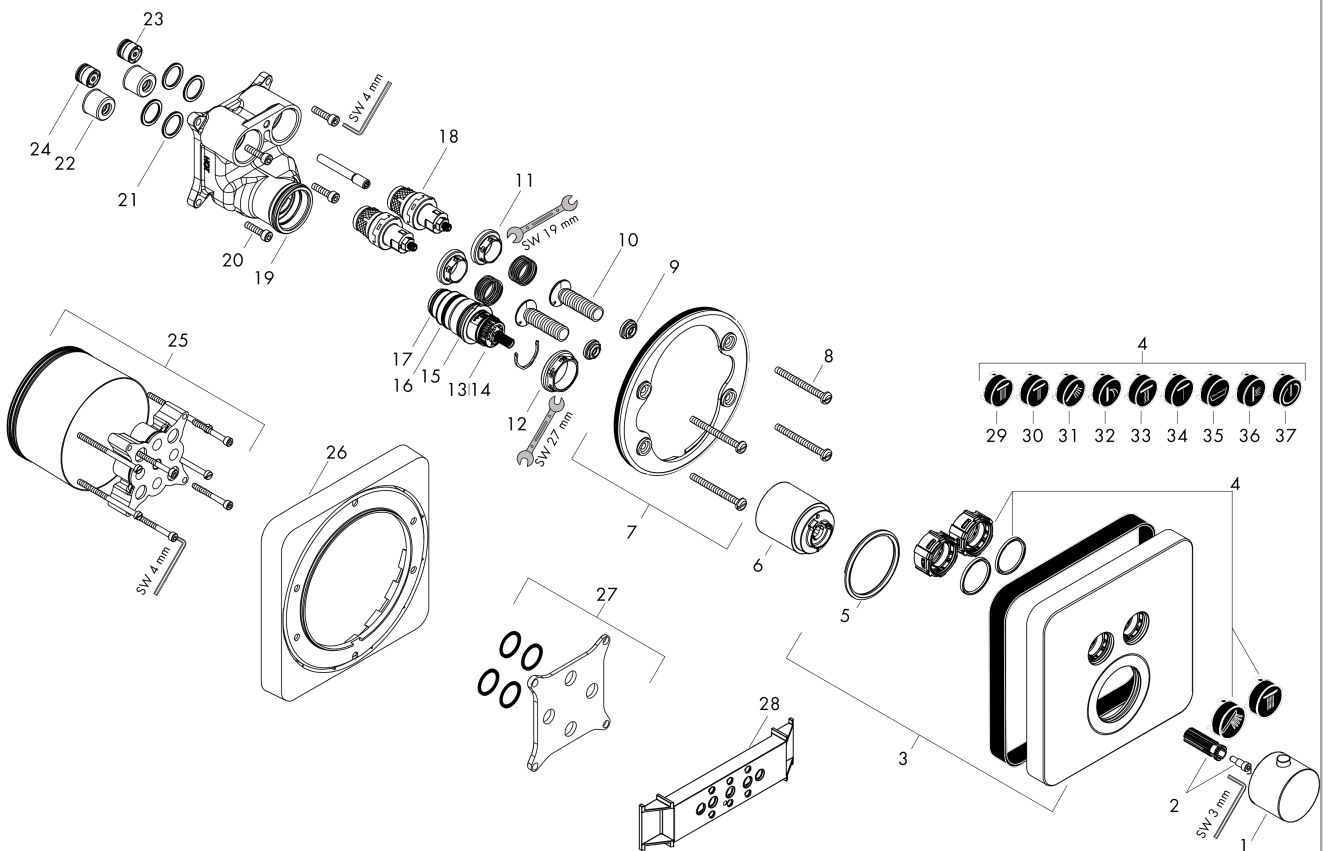


**AXOR ShowerSolutions**  
**Thermostat for concealed installation softsquare for 2 functions**  
 Finish: **Brushed Nickel**    Article Number: **36707820**



## Exploded Drawing

Year of production: >10/16



**AXOR ShowerSolutions**  
**Thermostat for concealed installation softsquare for 2 functions**  
 Finish: **Brushed Nickel**    Article Number: **36707820**



## Spare part list

Year of production: >10/16

Pos.		Article Number	PC	PU
1	handle for thermostat	92840000	15	1
2	handle fixing set	95843000	3	1
3	escutcheon 170 / 170 mm	93029000	18	1
4	set of symbols	92544610	15	1
5	O-Ring 48x3	95508000	1	1
6	sleeve	92216000	8	1
7	holder for escutcheon	98793000	9	1
8	set of fixing screws	96454000	3	1
9	nut and flange	92696000	5	1
10	Select-adapter	92219000	2	1
11	nut	98368000	4	1
12	nut	98913000	6	1
13	thermostat cartridge	98282000	14	1
14	cartridge for exchanged connections	92373000	18	1
15	O-ring 25x2,5	92146000	3	1
16	O-ring 25x1,5	98146000	1	1
17	O-ring 20x1,5	98197000	1	1
18	shut off unit	95758000	14	1
19	O-ring 36x2	98156000	1	1
20	set of screws	96525000	3	1
21	O-ring 16x2	98133000	1	1
22	noise reduction	94073000	7	1
23	non return valve	97980000	5	1
24	non return valve (pressure-resistant up to 2 MPa)	92594000	5	1
25	extension 25 mm	13595000	99	1
26	extension 22 mm	98860000	99	1
27	compensation set 1°	95521000	16	1
28	fit-up aid	92540000	99	1
29	symbol head shower Rain large	93571610	4	1
30	symbol head shower Rain small	93572610	4	1
31	symbol handshower	93573610	4	1
32	symbol Flood jet	93574610	4	1
33	symbol Whirl	93575610	4	1
34	symbol Mono	93576610	4	1

**AXOR ShowerSolutions**  
**Thermostat for concealed installation softsquare for 2 functions**  
 Finish: **Brushed Nickel**    Article Number: **36707820**



## Spare part list

Year of production: >10/16

Pos.		Article Number	PC	PU
35	symbol tub	93577610	4	1
36	symbol body shower	93578610	4	1
37	symbol ON/OFF	93579610	4	1
a	concealed item	01800180	99	1
b	adapter for exchanged connections	93181000	18	1
c	fixation set	96615000	99	1