

AXOR Starck
Overhead shower 240 1jet
 Finish: **Brushed Gold Optic** Article Number: **28494250**



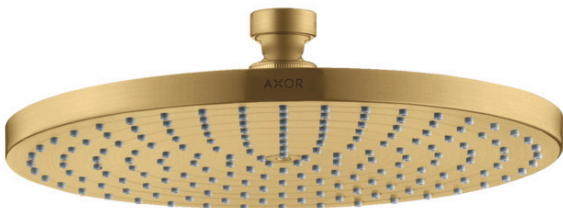
product features

- shower head size: 240 mm
- spray type: RainAir
- ball-joint: overhead shower angle adjustable
- material spray disc: metal
- maximum flow rate at 3 bar: 19 l/min
- flow rate RainAir spray (at 3 bar): 19 l/min
- minimum flow pressure: 1,5 bar
- spray disc removable for cleaning
- installation: ceiling or wall
- connection thread G ½
- connection dimension: DN15
- suitable for continuous flow water heaters
- pressure: low

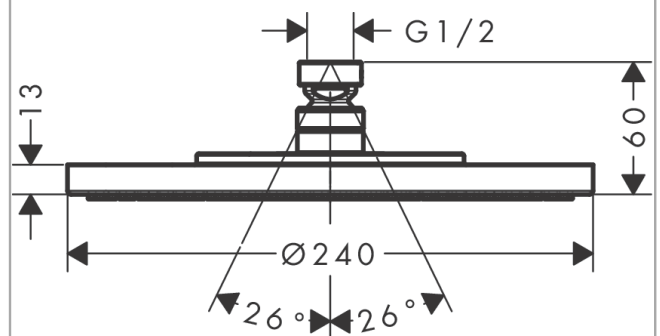
Technology



Product image



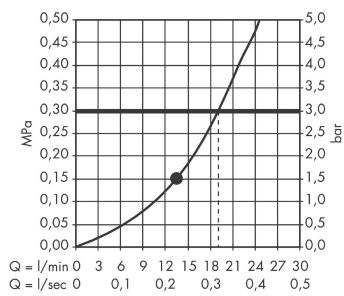
Scale drawing



AXOR Starck
Overhead shower 240 1jet
 Finish: **Brushed Gold Optic** Article Number: **28494250**



Flowchart



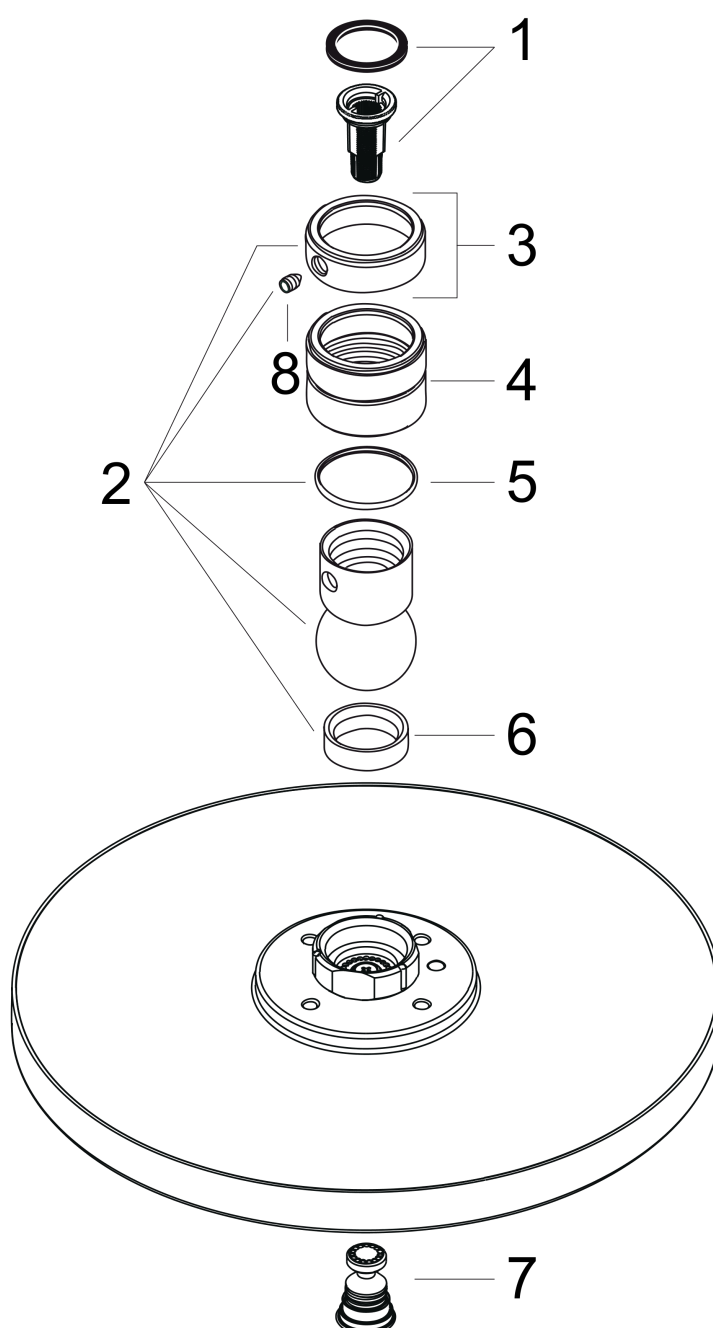
The consumption was measured in combination with the appropriate fittings (thermostat/mixer/in-wall valve) to reflect actual application in practice.

AXOR Starck
Overhead shower 240 1jet
Finish: **Brushed Gold Optic** Article Number: **28494250**



Exploded Drawing

Year of production: >11/16



AXOR Starck
Overhead shower 240 1jet
 Finish: **Brushed Gold Optic** Article Number: **28494250**



Spare part list

Year of production: >11/16

Pos.		Article Number	PC	PU
1	filter insert	97708000	2	1
2	ball joint	98941250	99	1
3	lock washer	98942250	99	1
4	nut	97958250	99	1
5	lever collar	97536000	2	1
6	seal	97606000	2	1
7	air jet	95794250	99	1
8	hollow set screw M4x6	97767000	1	1
a	non return valve	95699000	5	1