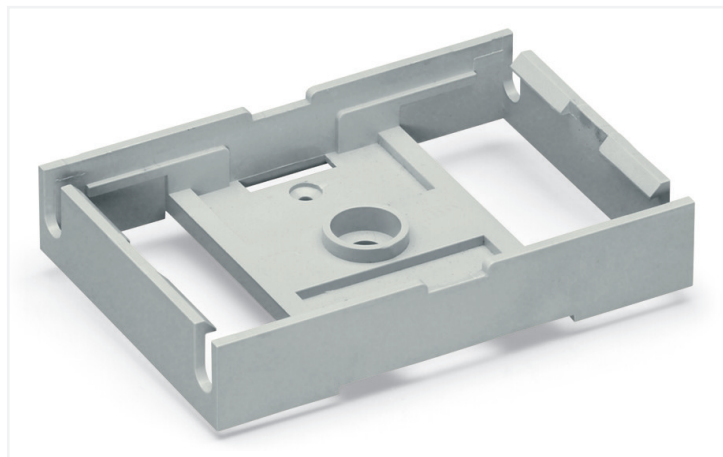


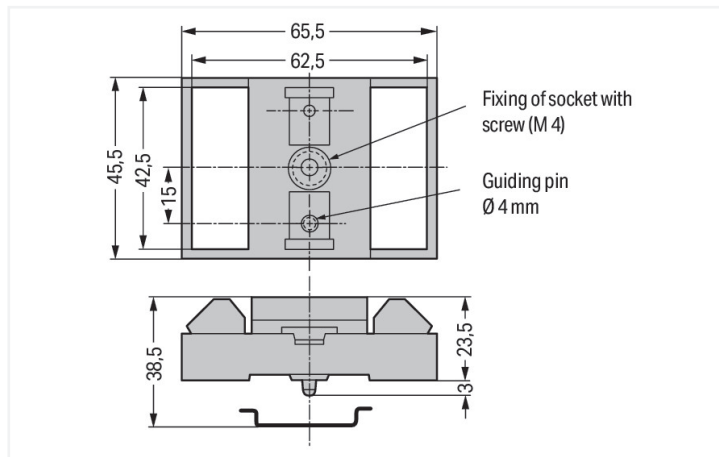
Data Sheet | Item Number: 288-001

Mounting carrier; gray

<https://www.wago.com/288-001>



Color: ■ gray



Dimensions in mm

Mounting carrier, for screw mounting or DIN-rail mounting (via universal snap-on type mounting feet)

Notes

Note Mounting feet must be ordered separately!

Physical data

Width	45.5 mm / 1.791 inches
Height	65.5 mm / 2.579 inches
Depth from upper-edge of DIN-rail	23.5 mm / 0.925 inches

Mechanical data

Mounting type	DIN-35 rail
---------------	-------------

Material data

Color	gray
Fire load	0.237 MJ
Weight	7.9 g

Commercial data

Product Group	6 (INTERFACE ELECTRONIC)
eCl@ss 10.0	27-18-27-02
eCl@ss 9.0	27-18-27-02
ETIM 8.0	EC001031
ETIM 7.0	EC001031
PU (SPU)	50 (1) pcs
Packaging type	Box
Country of origin	DE
GTIN	4017332159548
Customs tariff number	85472000900

Environmental Product Compliance


RoHS Compliance Status

Compliant, No Exemption

Downloads


Environmental Product Compliance

Compliance Search



 Environmental Product
 Compliance 288-001
 

CAD/CAE-Data

CAD data

2D/3D Models 288-001 

CAE data

EPLAN Data Portal
288-001 WSCAD Universe
288-001 ZUKEN Portal 288-001 

1 Compatible Products

1.1 Optional Accessories

1.1.1 Installation

1.1.1.1 Mounting carrier and mounting feet



Item No.: 288-002

Universal mounting foot; snap-fit type; suitable for DIN 15, 35 and 32 rails; gray

1.1.1.2 PCB for self-assembly



Item No.: 289-102

 PCB for self-assembly; with 8 mounting positions; 2,50 mm²


Item No.: 289-131

 PCB for self-assembly; with 8 mounting positions; 2,50 mm²