

SACC-M12FS-4CON-PG 9-SH - Connector



1515170

<https://www.phoenixcontact.com/gb/products/1515170>

Please be informed that the data shown in this PDF document is generated from our online catalog. Please find the complete data in the user documentation. Our general terms of use for downloads are valid.



Connector, Universal, 4-position, shielded, Socket straight M12, coding: A, Screw connection, knurl material: Brass, nickel-plated, cable gland Pg9, external cable diameter 6 mm ... 8 mm

Your advantages

- Safe use in the field, thanks to a high degree of protection
- Screw connection: proven connection technology for a large selection of different conductors
- Reliable signal transmission – 360° shielding in environments with electromagnetic interference

Commercial data

Item number	1515170
Packing unit	1 pc
Minimum order quantity	1 pc
Sales key	BF2CBA
Product key	BF2CBA
Catalog page	Page 24 (C-2-2019)
GTIN	4017918924737
Weight per piece (including packing)	58.8 g
Weight per piece (excluding packing)	58.8 g
Customs tariff number	85366990
Country of origin	CN

1515170

<https://www.phoenixcontact.com/gb/products/1515170>

Technical data

Notes

General	NOTE: Observe the permissible bending radii when laying conductors, since the degree of protection may be put in jeopardy if the bending forces are too high. Alleviate mechanical loads upstream of the connector, e.g. by using cable ties.
---------	--

Mounting

Connection method	Screw connection
-------------------	------------------

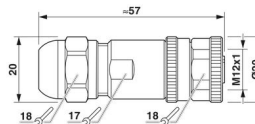
Product properties

Product type	Circular connector (cable-side)
Sensor type	Universal
Number of positions	4
No. of cable outlets	1
Shielded	yes
Coding	A
Cable outlet	straight
Pg screw connection	Pg9

Insulation characteristics

Overvoltage category	II
Degree of pollution	3

Dimensions

Dimensional drawing	
Width	20 mm
Height	20 mm
Length	57 mm

External dimensions

Outside diameter	6 mm ... 8 mm
------------------	---------------

Housing

Diameter housing	20 mm
------------------	-------

Material specifications

Flammability rating according to UL 94	HB
Seal material	NBR
Material of grip body	Brass, nickel-plated
Contact material	CuZn

SACC-M12FS-4CON-PG 9-SH - Connector



1515170

<https://www.phoenixcontact.com/gb/products/1515170>

Contact surface material	Au
Contact carrier material	PA
Material for screw connection	Brass, nickel-plated

Connection data

Conductor connection

Connection method	Screw connection
Connection cross section	0.25 mm ² ... 0.75 mm ² (without ferrule)
	0.14 mm ² ... 0.5 mm ² (with ferrule)
	0.25 mm ² ... 0.75 mm ² (solid)
Connection cross section AWG	24 ... 18 (without ferrule)
	26 ... 20 (with ferrule)
Stripping length of the individual wire	5 mm
Tightening torque	0.4 Nm (M12 knurl)
	0.2 Nm (Screw terminal blocks)
	0.8 Nm ... 1 Nm (Pressure nut with coupling sleeve)

Electrical properties

Rated surge voltage	2.5 kV
Contact resistance	≤ 3 mΩ
Insulation resistance	≥ 100 MΩ
Nominal voltage U _N	48 V AC
	60 V DC
Nominal current I _N	4 A

Mechanical properties

Mechanical data

Insertion/withdrawal cycles	≥ 100
-----------------------------	-------

Connector

Connection 1

Head design	Socket
Head cable outlet	straight
Head thread type	M12
Coding	A

Cable/line

Signal type/category	Universal
Stripping length of the individual wire	5 mm

Environmental and real-life conditions

Ambient conditions

Degree of protection	IP67
----------------------	------

SACC-M12FS-4CON-PG 9-SH - Connector



1515170

<https://www.phoenixcontact.com/gb/products/1515170>

Ambient temperature (operation)	-40 °C ... 85 °C (Plug / socket)
---------------------------------	----------------------------------

Standards and regulations

Standard designation	M12 connector
Standards/specifications	IEC 61076-2-101

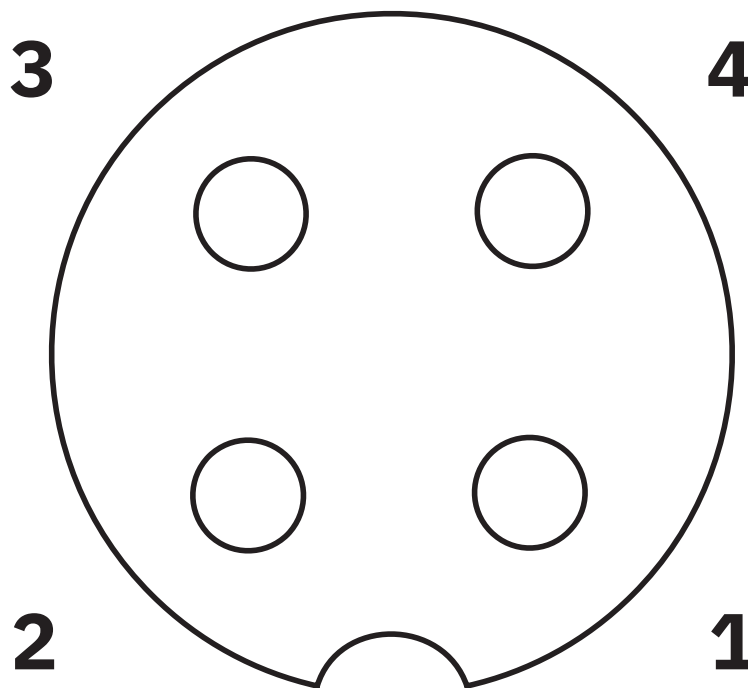
SACC-M12FS-4CON-PG 9-SH - Connector

1515170

<https://www.phoenixcontact.com/gb/products/1515170>

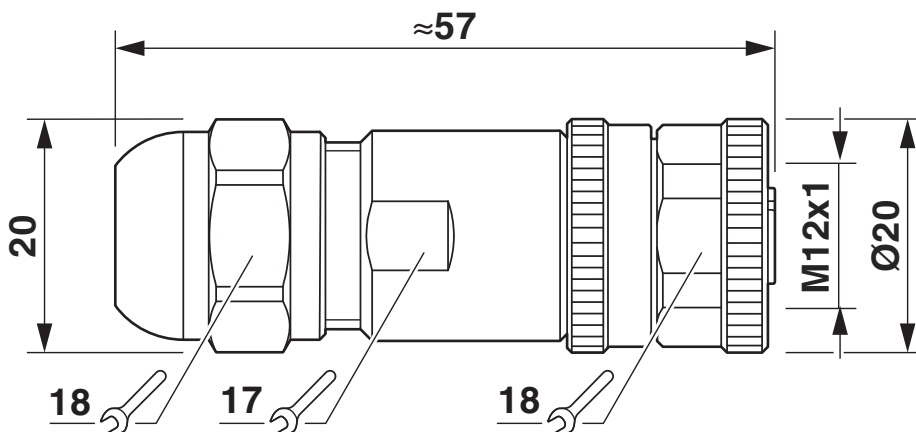
Drawings

Schematic diagram



Pin assignment M12 socket, A-coded

Dimensional drawing



M12 x 1 socket, straight, shielded

SACC-M12FS-4CON-PG 9-SH - Connector





1515170

<https://www.phoenixcontact.com/gb/products/1515170>

Approvals

To download certificates, visit the product detail page: <https://www.phoenixcontact.com/gb/products/1515170>

 cUL Recognized Approval ID: FILE E 221474				
	Nominal voltage U_N	Nominal current I_N	Cross section AWG	Cross section mm^2
	250 V	4 A	-	-

 UL Recognized Approval ID: FILE E 221474				
	Nominal voltage U_N	Nominal current I_N	Cross section AWG	Cross section mm^2
	250 V	4 A	-	-

cULus Recognized

SACC-M12FS-4CON-PG 9-SH - Connector



1515170

<https://www.phoenixcontact.com/gb/products/1515170>

Classifications

ECLASS

ECLASS-11.0	27440102
ECLASS-12.0	27440116
ECLASS-13.0	27440116

ETIM

ETIM 9.0	EC002635
----------	----------

UNSPSC

UNSPSC 21.0	39121400
-------------	----------

SACC-M12FS-4CON-PG 9-SH - Connector



1515170

<https://www.phoenixcontact.com/gb/products/1515170>

Environmental product compliance

REACH SVHC	Lead 7439-92-1
China RoHS	Environmentally Friendly Use Period = 50 years
	For information on hazardous substances, refer to the manufacturer's declaration available under "Downloads"

SACC-M12FS-4CON-PG 9-SH - Connector



1515170

<https://www.phoenixcontact.com/gb/products/1515170>

Accessories

PROT-M12 MS-PA-CHAIN - Screw plug

1430899

<https://www.phoenixcontact.com/gb/products/1430899>

M12 sealing cap with fixing band, for sensor cables, for free M12 sockets



A 0,25- 5 - Ferrule

3202465

<https://www.phoenixcontact.com/gb/products/3202465>

Ferrule, color: silver



SACC-M12FS-4CON-PG 9-SH - Connector

1515170

<https://www.phoenixcontact.com/gb/products/1515170>

TSD 04 SAC - Torque screwdriver

1208429

<https://www.phoenixcontact.com/gb/products/1208429>



Torque screwdriver, with preset torque of 0.4 Nm and 4 mm hexagonal drive for M12 connectors

SACC BIT M12-D20 - Tool

1208445

<https://www.phoenixcontact.com/gb/products/1208445>



Nut for assembling M12 connectors for assembly with a knurl diameter of 20 mm, for 4 mm hexagonal drive

SACC-M12FS-4CON-PG 9-SH - Connector



1515170

<https://www.phoenixcontact.com/gb/products/1515170>

TSD-M 1,2NM - Torque screwdriver

1212224

<https://www.phoenixcontact.com/gb/products/1212224>



Torque screw driver, accuracy as per EN ISO 6789 standard, adjustable from 0.3 - 1.2 Nm

TSD-M SAC-BIT ADAPTER - Adapter insert

1212600

<https://www.phoenixcontact.com/gb/products/1212600>



Adapter bit for TSD-M...torque tools, E6.3-1/4" drive with 4 mm hexagon to accommodate SAC bits

SACC-M12FS-4CON-PG 9-SH - Connector



1515170

<https://www.phoenixcontact.com/gb/products/1515170>

CRIMPFOX 6H - Crimping pliers

1212046

<https://www.phoenixcontact.com/gb/products/1212046>



Crimping pliers, for ferrules without insulating collar according to DIN 46228 Part 1 and ferrules with insulating collar according to DIN 46228 Part 4, 0.14 mm² ... 6 mm², unlockable pressure lock, lateral entry

SZF 1-0,6X3,5 - Screwdriver

1204517

<https://www.phoenixcontact.com/gb/products/1204517>



Actuation tool, for ST terminal blocks, also suitable for use as a bladed screwdriver, size: 0.6 x 3.5 x 100 mm, 2-component grip, with non-slip grip

Phoenix Contact 2024 © - all rights reserved
<https://www.phoenixcontact.com>

PHOENIX CONTACT Ltd
Halesfield 13, Telford
Shropshire, TF7 4PG
01952 681700
info@phoenixcontact.co.uk