

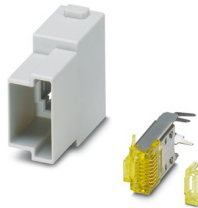
HC-M-RJ45-08-M - Contact insert module



1419887

<https://www.phoenixcontact.com/gb/products/1419887>

Please be informed that the data shown in this PDF document is generated from our online catalog. Please find the complete data in the user documentation. Our general terms of use for downloads are valid.



Contact insert module, number of positions: RJ45, type : RJ45, Pin, 48 V, 1 A, application: Data, With RJ45 contact insert

Commercial data

Item number	1419887
Packing unit	1 pc
Minimum order quantity	1 pc
Sales key	BF7ACE
Product key	BF7ACE
Catalog page	Page 591 (C-2-2019)
GTIN	4055626253251
Weight per piece (including packing)	14.4 g
Weight per piece (excluding packing)	13.4 g
Customs tariff number	85366990
Country of origin	PL

HC-M-RJ45-08-M - Contact insert module



1419887

<https://www.phoenixcontact.com/gb/products/1419887>

Technical data

Notes

General	Scope of supply: contact insert module, RJ45 pin insert
General	Connectors may be operated only when there is no load/voltage.

Mounting

Assembly instructions	To ensure correct use, installation in housing with IP54 protection or better is required
Connection method	IDC fast connection

Product properties

Product type	Modular contact insert
Sensor type	Ethernet
Number of positions	8
Connection profile	RJ45
Contact numbering	1 - 8
Application	Data
Number of module slots	1
Type	RJ45
Series	HC-M-RJ45

Insulation characteristics

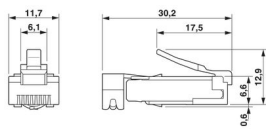
Overvoltage category	III
Degree of pollution	3

Connection data

Conductor connection

Connection cross section AWG	24 ... 27 (flexible)
------------------------------	----------------------

Dimensions

Dimensional drawing	
Width	34.2 mm
Height	41 mm
Length	14.6 mm

Electrical properties

Rated voltage (III/3)	48 V
Rated surge voltage	0.8 kV
Rated current	1 A

HC-M-RJ45-08-M - Contact insert module



1419887

<https://www.phoenixcontact.com/gb/products/1419887>

Nominal voltage U_N	50 V
Transmission characteristics (category)	CAT6 _A (IEC 60512-27-100:2008, TIA-568-C.2:2009)

Mechanical properties

Mechanical data

Insertion/withdrawal cycles	≥ 500
-----------------------------	-------

Material specifications

Flammability rating according to UL 94	V0
Contact material	Phosphor bronze
Contact surface material	Au
Contact carrier material	PC
Standards/regulations	PC: Fire protection in rail vehicles - requirement sets R22, R23, and R24 acc. to DIN EN 45545-2 (Risk level HL1 - HL3)

Environmental and real-life conditions

Ambient conditions

Ambient temperature (operation)	-25 °C ... 60 °C
---------------------------------	------------------

Standards and regulations

Testing

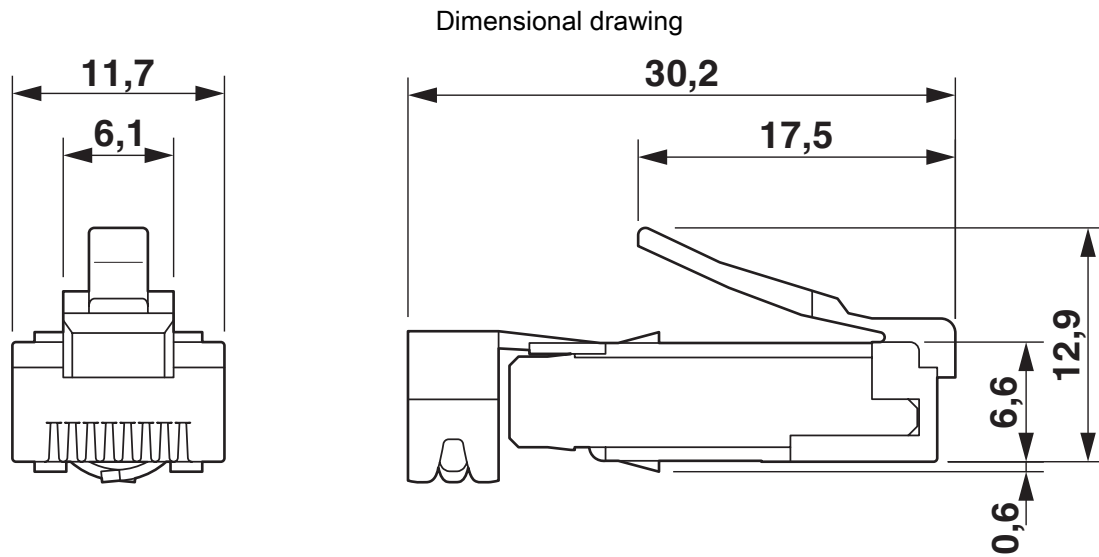
Standards/regulations	PC: Fire protection in rail vehicles - requirement sets R22, R23, and R24 acc. to DIN EN 45545-2 (Risk level HL1 - HL3)
-----------------------	---

HC-M-RJ45-08-M - Contact insert module

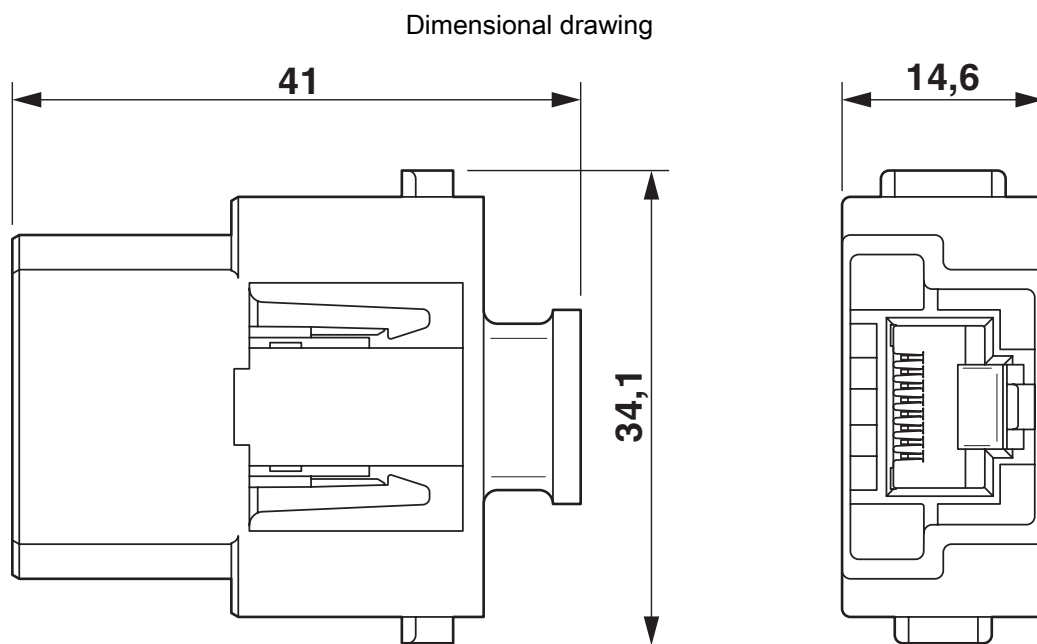
1419887

<https://www.phoenixcontact.com/gb/products/1419887>

Drawings



RJ45 male insert



Contact insert module

HC-M-RJ45-08-M - Contact insert module



1419887

<https://www.phoenixcontact.com/gb/products/1419887>

Approvals

To download certificates, visit the product detail page: <https://www.phoenixcontact.com/gb/products/1419887>

DNV

Approval ID: TAE000037S



CSA

Approval ID: 13631



UL Recognized

Approval ID: E118976



EAC

Approval ID: RU C-DE.BL08.B.00511

HC-M-RJ45-08-M - Contact insert module



1419887

<https://www.phoenixcontact.com/gb/products/1419887>

Classifications

ECLASS

ECLASS-11.0	27440218
ECLASS-12.0	27440218
ECLASS-13.0	27440218

ETIM

ETIM 9.0	EC000438
----------	----------

UNSPSC

UNSPSC 21.0	39121400
-------------	----------

HC-M-RJ45-08-M - Contact insert module



1419887

<https://www.phoenixcontact.com/gb/products/1419887>

Environmental product compliance

China RoHS	Environmentally friendly use period: unlimited = EFUP-e
	No hazardous substances above threshold values

HC-M-RJ45-08-M - Contact insert module

1419887

<https://www.phoenixcontact.com/gb/products/1419887>

Accessories

HC-CBU-MOD - Coding element

1636130

<https://www.phoenixcontact.com/gb/products/1636130>



Coding socket for coding up to 16 connectors, for HC Modular

HC-CST-MOD - Coding element

1636127

<https://www.phoenixcontact.com/gb/products/1636127>



Coding peg for coding up to 16 connectors, for HC Modular

HC-M-RJ45-08-M - Contact insert module

1419887

<https://www.phoenixcontact.com/gb/products/1419887>



VS-08-RJ45-10G/C - RJ45 male insert

1418853

<https://www.phoenixcontact.com/gb/products/1418853>



Male insert RJ45, CAT6_A, 10 Gigabit

HC-M-B06-MFH-B - Module carrier frame

1182085

<https://www.phoenixcontact.com/gb/products/1182085>



Module carrier frame, size: B6, type : for the panel mounting side (a, b, c, ...), 4 mm² ... 6 mm², application: Module carrier frame

HC-M-RJ45-08-M - Contact insert module

1419887

<https://www.phoenixcontact.com/gb/products/1419887>

HC-M-B10-MFH-B - Module carrier frame

1182088

<https://www.phoenixcontact.com/gb/products/1182088>



Module carrier frame, size: B10, type : for the panel mounting side (a, b, c, ...), 4 mm² ... 6 mm², application: Module carrier frame

HC-M-B16-MFH-B - Module carrier frame

1182090

<https://www.phoenixcontact.com/gb/products/1182090>



Module carrier frame, size: B16, type : for the panel mounting side (a, b, c, ...), 4 mm² ... 6 mm², application: Module carrier frame

HC-M-RJ45-08-M - Contact insert module

1419887

<https://www.phoenixcontact.com/gb/products/1419887>

HC-M-B24-MFH-B - Module carrier frame

1182094

<https://www.phoenixcontact.com/gb/products/1182094>

Module carrier frame, size: B24, type : for the panel mounting side (a, b, c, ...), 4 mm² ... 6 mm², application: Module carrier frame



HC-M-B06-MFH-H - Module carrier frame

1182087

<https://www.phoenixcontact.com/gb/products/1182087>

Module carrier frame, size: B6, type : for the sleeve side (A, B, C, ...), 4 mm² ... 6 mm², application: Module carrier frame



HC-M-RJ45-08-M - Contact insert module

1419887

<https://www.phoenixcontact.com/gb/products/1419887>

HC-M-B10-MFH-H - Module carrier frame

1182089

<https://www.phoenixcontact.com/gb/products/1182089>



Module carrier frame, size: B10, type : for the sleeve side (A, B, C, ...), 4 mm² ...
6 mm², application: Module carrier frame

HC-M-B16-MFH-H - Module carrier frame

1182093

<https://www.phoenixcontact.com/gb/products/1182093>



Module carrier frame, size: B16, type : for the sleeve side (A, B, C, ...), 4 mm² ...
6 mm², application: Module carrier frame

HC-M-RJ45-08-M - Contact insert module

1419887

<https://www.phoenixcontact.com/gb/products/1419887>



HC-M-B24-MFH-H - Module carrier frame

1182095

<https://www.phoenixcontact.com/gb/products/1182095>

Module carrier frame, size: B24, type : for the sleeve side (A, B, C, ...), 4 mm² ...
6 mm², application: Module carrier frame



HC-M-RJ45-08-GC-F/F - Contact insert module

1419886

<https://www.phoenixcontact.com/gb/products/1419886>

Contact insert module, number of positions: RJ45, type : RJ45, Socket, 48 V, 1
A, application: Data, Gender changer



HC-M-RJ45-08-M - Contact insert module

1419887

<https://www.phoenixcontact.com/gb/products/1419887>



VS-CT-RJ45-H - Crimping pliers

1653265

<https://www.phoenixcontact.com/gb/products/1653265>



Crimp tool, pliers with die, for RJ45 pin inserts VS-08-ST-H...-RJ45 and VS-08-RJ45-10G/C

Phoenix Contact 2024 © - all rights reserved

<https://www.phoenixcontact.com>

PHOENIX CONTACT Ltd

Halesfield 13, Telford

Shropshire, TF7 4PG

01952 681700

info@phoenixcontact.co.uk