

Product Card

2-gang 1-way switch, 16AX/250V, Impressivo, 2 X-terminals, white



Switch

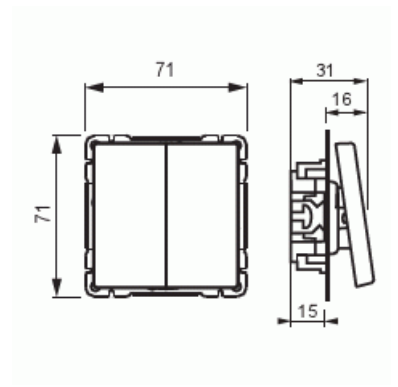
2-gang 1-way switch, 16AX/250V,
Impressivo, 2 X-terminals, white

Type: 1065UC-84

GTIN: 6438199001241



Switch with screwless terminals. The terminals are for max 2 rigid wires. Including switch insert and rocker.



Technical specification

General Information

Product ID: 2TKA00000413

Electrical quantities

Rated current: 16 AX

Rated voltage: 250 V

Classification

Enclosure class: IP21

Product Card

2-gang 1-way switch, 16AX/250V, Impressivo, 2 X-terminals, white



Packing

Package:	1/10/100/1800
Unit:	PCS

ETIM Data

Wiring system:	Series switch
Method of operation:	Rocker/button
Assembly arrangement:	Basic element with central cover plate
Push button switch:	No
Number of rockers:	1
Mounting method:	Flush mounted (plaster)
Type of fastening:	Screw mounting
With mounting plate:	No
Material:	Plastic
Material quality:	Thermoplastic
Halogen free:	Yes
Anti-bacterial treatment:	No
Surface protection:	Untreated
Surface finishing:	Glossy
Colour:	White
RAL-number (similar):	9003
Label space/information surface:	No
Illumination:	No
Suitable for degree of protection (IP):	IP21
Nominal voltage:	250 V
Rated current:	16 A
Switching current for fluorescent lamps:	16 AX
Feedback-signal contact:	No
Washing machine switch:	No
Device width:	85 mm
Device height:	35 mm
Device depth:	85 mm
Built-in depth:	17 mm

Product Card

2-gang 1-way switch, 16AX/250V, Impressivo, 2 X-terminals, white



Min. depth of built-in installation box:

17 mm
