

Conduit end piece

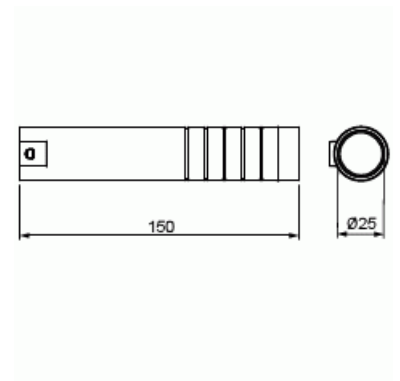
Ø 25 mm, green

Type: AJ5.25

GTIN: 6438199008110



A plug is supplied with each conduit end piece. Conduit end piece AJ5.25 is primarily used for termination of plastic conduits in concrete casting. After casting, the conduit end piece is cut to the desired length at one of the cut-off grooves, and the trunking is continued with a conduit of the same size. The plug protects the conduit from dirt, concrete and foreign particles. Made of halogen free material (IEC/61249-2-21).



Technical specification

General Information

Product ID: 2TKA00004192

Dimensions

For plastic pipe: Ø25mm

Packing

Package: 30/90

Unit: PCS

ETIM Data

Surface polished: No

Product Card

Ø 25 mm, green



Surface brushed: No

Halogen free: Yes
