

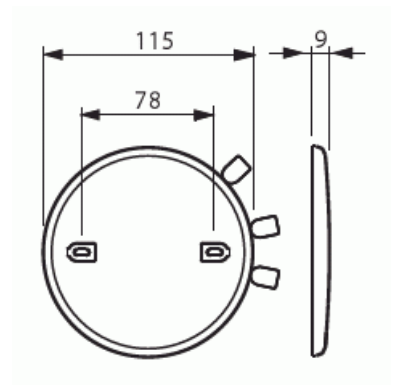
# Cover for junction box

**Type:** AK1.1

**GTIN:** 6410011525210



The AK1.1 is a smooth cover for use on junction boxes that have a screw distance of 70-78 mm. The AK1.1 is delivered with screws (M4 x 20 mm) and masking plugs. Made of halogen free material (IEC/61249-2-21).



## Technical specification

### General Information

Product ID: 2TKA001639G1

### Classification

Enclosure class: IP20

### Packing

Package: 10/100

Unit: PCS

### ETIM Data

Diameter: 115 mm

# Product Card

Cover for junction box



For box-/housing diameter:	95 mm
Length:	115 mm
Width:	115 mm
Depth:	115 mm
Shape:	Round
Model:	Blind cover
With cable outlet:	No
Halogen free:	Yes
Colour:	White
With screws:	Yes
Sealable:	No