

# Cover for junction box, black

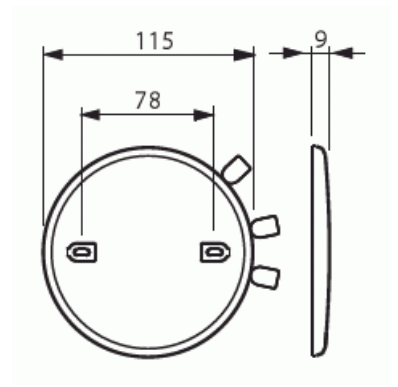
Cover for junction box

**Type:** AK1.1M

**GTIN:** 6438199008752



The AK1.1 is a black, smooth cover for use on junction boxes that have a screw distance of 70-78 mm. The AK1.1 is delivered with screws and masking plugs. Made of halogen free material (IEC/61249-2-21).



## Technical specification

### General Information

Product ID: 2TKA00004432

### Classification

Enclosure class: IP20

### Packing

Package: 10/100

Unit: PCS

### ETIM Data

Length: 115 mm

# Product Card

Cover for junction box



Width:	115 mm
Depth:	115 mm
Halogen free:	Yes
Colour:	Black
With screws:	Yes
Sealable:	No