

Extension ring

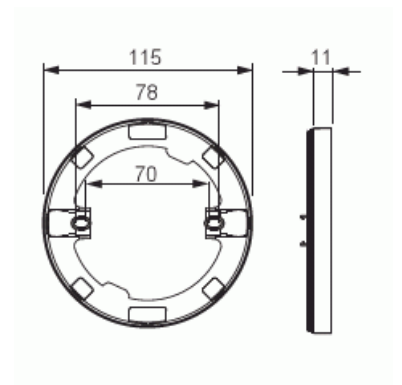
Surface mounting ring for AKKJ13 / 20.1 / 1.1

Type: AKL2

GTIN: 6410011525302



The surface mounting of a light socket inlet is performed by means of the AKL2 extension ring, 11 mm in height. Surface mounting ring AKK13J, AK20 and AK1.1. Made of halogen free material (IEC/61249-2-21).



Technical specification

General Information

| | |
|-------------|--------------|
| Product ID: | 2TKA001679G1 |
|-------------|--------------|

Packing

| | |
|----------|--------|
| Package: | 10/100 |
| Unit: | PCS |

ETIM Data

| | |
|-------------------|--------|
| Levelling height: | 11 mm |
| Length: | 115 mm |
| Width: | 115 mm |
| Diameter: | 115 mm |

Product Card

Surface mounting ring for AKKJ13 / 20.1 / 1.1



| | |
|------------------|-------------|
| Shape: | Round |
| With cover: | No |
| Mounting method: | Hollow wall |
| Extension ring: | Yes |