

Product Card

Conduit cover for 16mm pipe



Conduit cover

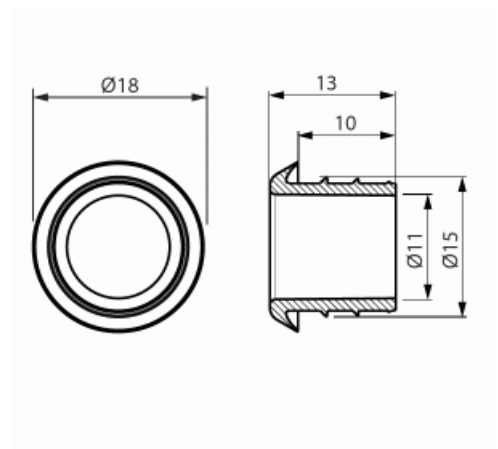
Conduit cover for 16mm pipe

Type: ATI38

GTIN: 6418677300639



Conduit cover for 16mm pipe. Made of halogen free material (IEC/61249-2-21).



Technical specification

General Information

Product ID:	2TKA170021G1
-------------	--------------

Packing

Package:	100/1000/10000/120000
Unit:	PCS

ETIM Data

Material quality:	Polyvinyl chloride (PVC)
For nominal tube diameter:	16 mm
Air tight:	No

Product Card

Conduit cover for 16mm pipe



Colour:

White