

Product Card

Conduit cover for 20mm pipe



Conduit cover

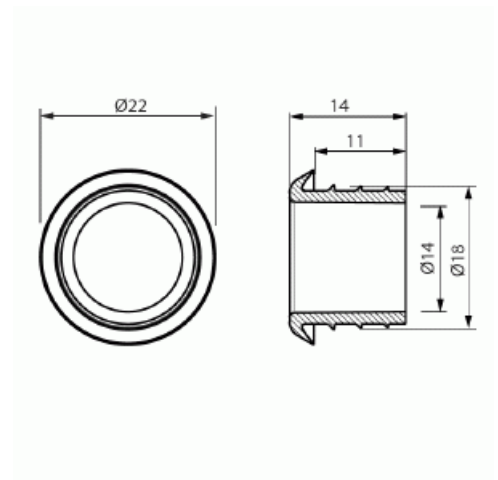
Conduit cover for 20mm pipe

Type: AT139

GTIN: 6418677300646



Conduit cover for 20mm pipe. Made of halogen free material (IEC/61249-2-21).



Technical specification

General Information

Product ID: 2TKA170022G1

Packing

Package: 100/1000

Unit: PCS

ETIM Data

Material quality: Polyvinyl chloride (PVC)

For nominal tube diameter: 20 mm

Product Card

Conduit cover for 20mm pipe



Air tight:

No

Colour:

White
