

Product Card

Conduit cover for 32 mm pipe



Conduit cover

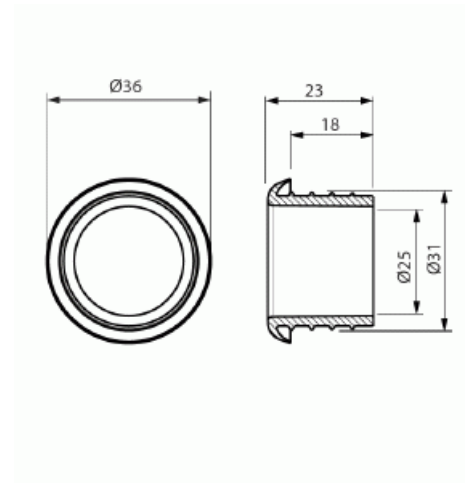
Conduit cover for 32 mm pipe

Type: ATI41

GTIN: 6418677300660



Made of halogen free material (IEC/61249-2-21).



Technical specification

General Information

Product ID: 2TKA170024G1

Packing

Package: 100/1000

Unit: PCS

ETIM Data

Material quality: Polyvinyl chloride (PVC)

For nominal tube diameter: 32 mm

Product Card

Conduit cover for 32 mm pipe



Air tight:

No

Colour:

White
