

Product Card

Junction box for EI60 and EI30 fire rated ceilings



Junction box

Junction box for EI60 and EI30 fire rated ceilings

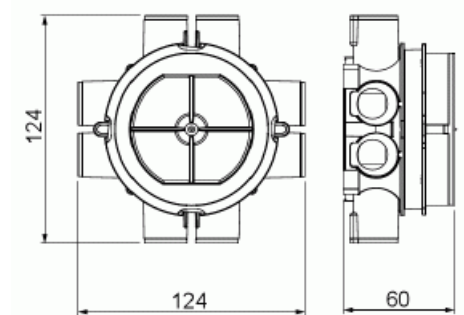
Type: AU70FR

GTIN: 6438199005911



The box has two screw towers with c/c 70mm (for M4 screws), which fits all standard ceiling covers and lamp outlets (also DCL standard). Installation hole with a hole saw and reworking of the hole is forbidden (specified hole saw $\varnothing 84\text{mm}$, drill hole max. 86mm). The box shall be installed to the center of the drill hole. The green adapter ring supplied with the box is used with single plaster board ceiling (12.5mm), and the ring is removed with double plaster board (2 x 12.5mm). If the plaster boards are 15mm thick, a red adapter ring is also used; in one position the lift is 2.5mm (1 x 15mm plate) and in another position 5mm (2 x 15mm plate). The box has one opened inlet for a 16/20 mm tube, and totally 8 fixed inlets. The box comes with a lid AU67.70.

Manufactured from halogen free material (IEC/61249-2-21), the box complies with the IEC/EN60670:2005 glow wire test (850 °C).



Technical specification

General Information

Product ID: 2TKA00003942

Electrical quantities

Rated voltage: 400 V

Product Card

Junction box for EI60 and EI30 fire rated ceilings



Thermal conditions

Operating temperature:	-25 ... 90 °C
------------------------	---------------

Dimensions

For plastic pipe:	Ø16/20mm
-------------------	----------

Packing

Package:	20
Unit:	PCS

ETIM Data

Mounting method:	Other
Shape:	Round
Construction type:	Cable junction box
Model:	Single
Provided with revolving ring:	No
Connectable:	No
Equipped with:	None
Diameter:	92 mm
Length:	120 mm
Width:	120 mm
Depth:	120 mm
Inner depth:	50 mm
For number of electric fittings:	1
Mounting switching equipment:	Screwing
With screws:	No
Housing feed-through by break-out opening:	No
Housing feed-through by seal membrane:	No
Housing feed-through by nozzle:	Yes
Housing feed-through by step membrane:	No
For tube diameter:	16 mm
Pipe locking:	Yes

Product Card

Junction box for EI60 and EI30 fire rated ceilings



Pipe locking optional:	No
Inlet from the rear:	No
Number of inlets:	8
Number of included spouts:	8
Material:	Plastic
Halogen free:	Yes
Surface protection:	Untreated
Colour:	Red
Degree of protection (IP):	IP3X
Cover model:	Construction protective cover
Transparent cover:	No
Cover attachment:	Snapped on
Sealable:	No
Circuit integrity:	E60
With screening:	No
Air tight:	No
Clamp position fixed:	No
Luminaire hook mounting:	No
Special application:	Fire protection