

Interconnector

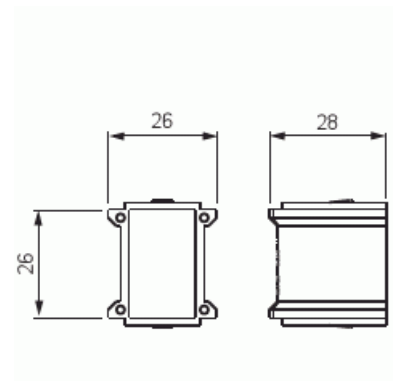
Interconnector c/c 85 mm

Type: PMR490

GTIN: 6410011527887



The PMR490 interconnector is used to link together mounting boxes when groups of installation boxes that house weak and strong current circuits are installed under different coverplates. The centerplate distance of mounting boxes can be set at 85 mm when using a PMR490 interconnector. Made of halogen free material (IEC/61249-2-21).



Technical specification

General Information

Product ID:	2TKA130045G1
-------------	--------------

Packing

Package:	50/250
Unit:	PCS

ETIM Data

Type of accessory/spare part:	Other
Accessory:	Yes
Spare part:	No
Suitable for built-in installation box:	Yes

Product Card

Interconnector c/c 85 mm



Suitable for central conduit box:

No