

Support

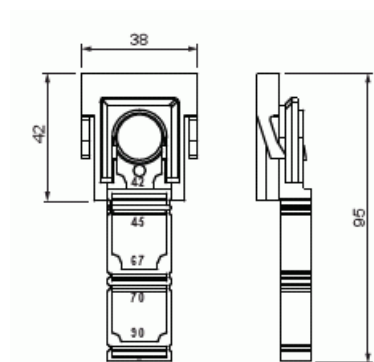
Box support 42 – 95 mm

Type: PMR577

GTIN: 6410011527764



Support PMR577 is used with mounting and junction boxes with knock-out inlets. The support is used for installation of boxes into light, non-bearing walls that are constructed on site, with interlayers of 42, 45, 66, 70, 90 and 95 mm. It is possible to use an inlet or a strain-relief (conduitless flush mounting) with the support. By joining two supports PMR577 together with an interconnector PMR474 the box groups can be separated from each other under different covering plates. The center distance of the box groups is 85mm. Made of halogen free material (IEC/61249-2-21).



Technical specification

General Information

Product ID:	2TKA130047G1
-------------	--------------

Packing

Package:	20/500
Unit:	PCS

ETIM Data

Type of accessory/spare part:	Other
Accessory:	Yes
Spare part:	No
Suitable for built-in installation box:	Yes

Product Card

Box support 42 – 95 mm



Suitable for central conduit box:

No