

PC F 65 G



Sample image

Order symbol : PC F 65 G

Product nr : 8724311

UL Name : UL PC F 65 G

Description : Enclosure, PC

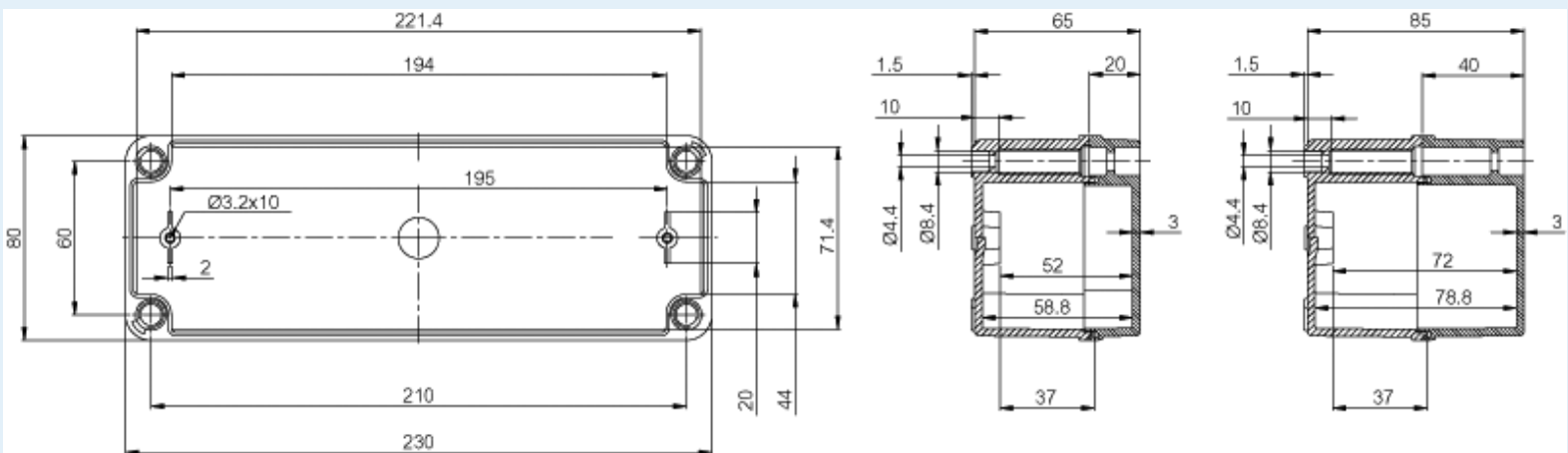
Remarks : Grey cover

EAN : 6418074002198

El. number :

- Finland : 3423413
- Denmark : 8212001611
- Sweden : 2536820

Including : Base with screws for mounting plate/DIN-rail. cover with PUR gasket and polyamide cover screws.



Dimensions :	Height	Width	Depth
mm :	230	80	65
inch :	9.06	3.15	2.56

Materials :

Material :	Polycarbonate
Base colour :	RAL 7035 -light grey
Cover colour :	RAL 7035 -light grey
Gasket material :	Polyurethane

Temperatures :

Temperature °F (continuous) :	-40 ... 175
-------------------------------	-------------

Accessories :

FP 22040	Wall fastening lug (2 pcs), for enclosures:
F-MP	Mounting plate, for enclosures: (200 x 54 x 1)
FM-3	DIN-35 Mounting rail, for enclosures: (35 x 200 x 1)

Ratings :

Ingress protection (EN 60529):	IP66; IP67;
Impact Resistance (EN 62262):	IK08;
electrical_insulation :	Totally insulated
Halogen free (DIN/VDE 0472, Part 815) :	Yes
UV resistance :	UL 746C
Flammability Rating :	UL 94 V0

Glow Wire Test (IEC 695-2-1) °C :

960C

Certificates :

SGSFIMKO_PICC_pc