

RT Thermostats

Room thermostat suitable for wall mounting indoors



- Electronic
- Wall mounted
- Integral Sensor
- Change-Over Relay

[Find more details in our online catalogue](#)

Wall mounting

Electronic room thermostat designed for wall-mounting indoors.

Change-over relay

Change-over relay for regulating either heating or cooling.

Internal or external sensor

The thermostat can be used with an internal sensor or external sensor.

The RT is an electronic room thermostat designed for wall-mounting indoors. It has a change-over relay for regulating either heating or cooling. It has an integral sensor, but an external sensor such as the TG-K330 or TG-R630 can also be connected to the thermostat. The RT can also be used with other external temperature sensors to achieve different temperature ranges. The thermostat can be used with the internal sensor or an external sensor. The thermostat cannot be used for simultaneous control of both heating and cooling.

If the thermostat is to be used with the internal sensor it should be mounted approximately 5ft above floor level at a location with a representative temperature. If an external sensor is being used, a Regin TG-type sensor must be used.

Technical parameters

Nominal data

Input power	1	W
Temperature adjustment	0 to 30	°C

Protection/Classification

Enclosure class	IP30
-----------------	------

Controller and Sensors

Permitted ambient humidity	max 90	%RH
----------------------------	--------	-----

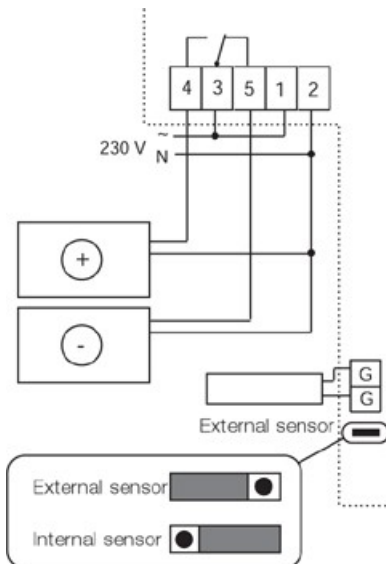
Ambient and duct temperature

Permitted ambient temperature	0 to 50	°C
Switching capacity	16, 250 V AC	

Dimensions and weights

Depth	30	mm
Height	86	mm
Width	86	mm
Weight	0.1	kg

Wiring



Accessories

- TG-K330 Duct Sensor 0-30°C (5160)
- TG-K360 Duct sensor 0-60°C (4846)
- TG-K350 Duct Sensor 20-50°C (5161)
- TG-R630 External sensor (5164)

Documents

- RT_IMO_GB_SE_DE.PDF
- Decl. of Conformity RT_0-30.PDF