

REU Transformers

5-step controller for effective and durable fan control

- Manual operation
- Two control switches
- Indicator lamp
- Thermoplastic casing

[Find more details in our online catalogue](#)



Five-step transformer

The REU is a single-phase transformer designed to control the fan speed by altering the supply voltage in five fixed steps.

Manual adjustment

The REU is designed for simple use. The steps are adjusted manually using the control knob on the front of the unit.

Thermoplastic casing

The REU has a self-extinguishing thermoplastic casing for added durability and safety.

The REU is a single-phase transformer that has been designed to provide effective and durable fan control. The fan speed is modified by altering the supply voltage in five fixed steps. The unit has a control knob located on the front of the unit to allow for manual adjustment of the steps. The REU has two control switches, one for higher fan speeds and one for lower fan speeds. Switching between the high and low settings is carried out by an external change-over contact. This could be a thermostat or a timer.

The indicator lamp on the front shows when the transformer is in operation. The fuse can be reset from the outside. For added durability and safety the REU has a self-extinguishing thermoplastic casing. The supply voltage for the unit is 230v 40/60Hz. Fans with external thermal contact must always be connected to a motor protection device.

Technical parameters

Nominal data

Voltage (nominal)	230	V
Frequency	50; 60	Hz
Phases	1~	
Input current	3	A

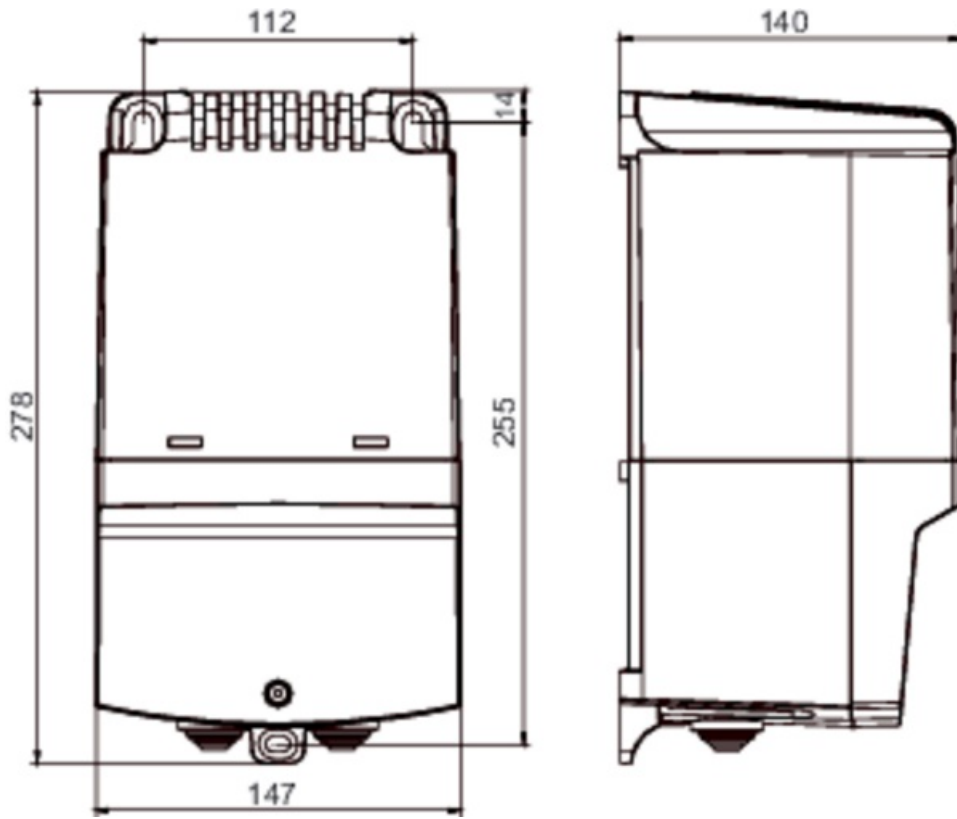
Protection/Classification

Enclosure class	IP54
-----------------	------

Dimensions and weights

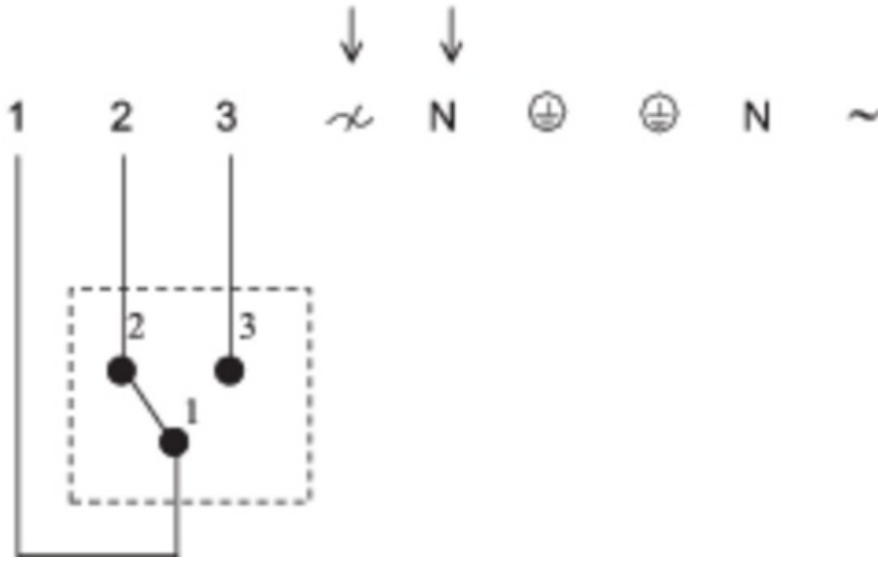
Depth	140	mm
Height	278	mm
Width	147	mm
Weight	4.05	kg

Dimension



Wiring

REU 1,5 REU 3 REU 5 REU 7



Documents

- [RE_RTRE_REU_IMO_GB.PDF](#)
- [DECLARATION OF CONFORMITY_RE_REU_RTRE_EN-2017.PDF](#)