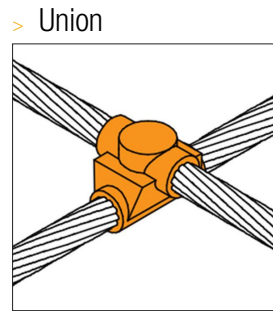
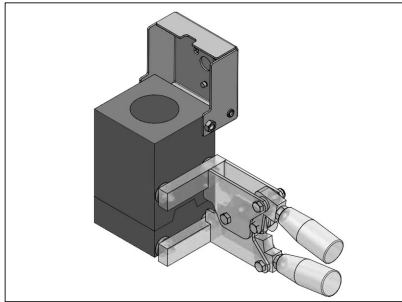


## DATASHEET

CATEGORY: APLIWELD specific mould  
 NAME: **Cross superimposed cable/cable mould**  
 REFERENCE: **C35/C35/XS**

### PRODUCT DESCRIPTION

Mould for 35 mm<sup>2</sup> cable over 35 mm<sup>2</sup> cable, cross superimposed connection.



## DATASHEET

|   |   |
|---|---|
| Reference                                 | C35/C35/XS                                  |
| Length                                    | 80 mm                                       |
| Width                                     | 80 mm                                       |
| Height                                    | 130 mm                                      |
| Diameter of the whole                     | D1 = 7.5 mm<br>D2 = 7.5 mm                  |
| Weight                                    | 1595 g                                      |
| Material/s                                | Graphite with electrogalvanised steel cover |
| Duration (nr. of weldings)                | 70  |
| Conductor 1                               | 35 mm <sup>2</sup> cable                    |
| Conductor 2                               | 35 mm <sup>2</sup> cable                    |
| Tablets for Apliweld-T exothermic welding | AT-020N                                     |
| Number of tablets per connection          | 2,5   |
| Closing clamp                             | AT-049N                                     |
| Starters for electronic ignition          | AT-010N                                     |
| Electronic starting device                | AT-100N                                     |
| Starting powder for manual ignition       | AT-012N                                     |
| Spark lighter for manual ignition         | AT-060N                                     |

|                       |   |
|-----------------------|---|
| Basic accessories kit | AT-069N   |
| Other accessories     | AT-069N   |
| Other accessories     | 0   |
| Standards             | Complies with UNE 21186, NF C 17-102, IEC 62305 |

> TESTS AND CERTIFICATIONS

UL Certificate according to UL 467 (E354045)

## INSTRUCTIONS

> SAFETY AND MAINTENANCE

Read carefully the particular product instructions supplied in all APLIWELD® products before its use.

All personnel that will carry out APLIWELD® exothermic welding should be duly trained in the correct usage of the product.

## OTHER INFORMATION

> ACCESSORIES



**AT-020N**  
Apliweld-T: Welding tablets (20u)



**AT-049N**  
Model S clamp for specific moulds



**AT-010N**  
Apliweld-E: Electronic starter(10ud)



**AT-069N**  
Basic tool set Apliweld-E



**AT-100N**  
Kit Apliweld-E: Ignition kit



**AT-069N**  
Basic tool set Apliweld-E