

Data sheet

Commercial Art.No.: 92.031.5453.1

flat cable adapter GST18i3I B1H F7V SW

gesis® NRG flat cable adapter to GST18i3; Code 1 mains; colour of coding: black; pre-selection of L1 or L2 or L3; 250 V; 20 A; IP20; pluggable output parallel to flat cable; piercing-contact screws with Torx-head; for gesis® NRG flat cable 5G2,5, 5G4, 5G2,5+2x1,5 and 5G4+2x1,5



Commercial Art.No.	92.031.5453.1
EAN	4049088287039
Order Unit	1

certificates / approvals



Technical data

general

rated current	20 A
degree of protection (IP)	IP20
mechanical coding	code 1
marking of poles	L, N, PE
color of coding/ contact carrier	black
color housing	black
lockable	self-locking (unlocking by tool)

model

model	tapp-off
selection of phase	L1-L3

material

halogen free	yes
contact material	CuZn
fire load	0.594 kWh

dimensions

length	89.5 mm
width	61 mm
height	42.8 mm

classification

ECLASS 11	
ECLASS 8.1	27440601
ETIM 9.0	EC002588
ETIM 8.0	EC002588
ETIM 7.0	EC002588
ETIM 6.0	EC002588
ETIM 5.0	EC002588
ETIM 4.0	EC002588

product compliance

ROHS conformity status	compliant/exempted
ROHS exceptions	III-6(c)
REACH-SVHC conformity status	Duty-To-Declare
REACH-SVHC substances	Lead
REACH-SVHC CAS numbers	7439-92-1

Accessories

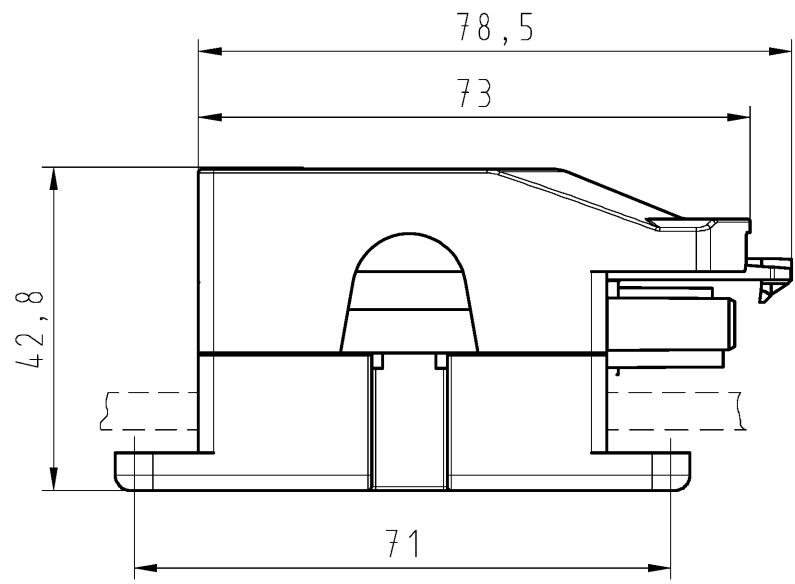
Commercial Art.No.:	Article-type description:	Description:
05.561.3653.0	cover cap GST18I3VS B WS	Cover piece for female GST18i3, white
05.561.3653.1	cover cap GST18I3VS B SW	Cover piece for female GST18i3, black
05.564.5353.0	cover cap GST18I3/4/5 SW	Cover piece 12 pole black for female parts GST18i3-6
05.564.5353.2	cover cap GST18I3/4/5 WS	Cover piece 12 pole white for female parts GST18i3-6
06.502.5810.0	screwdriver bit TX 10x25	Screw driver insert TX 10x25 for hexagon socket
99.681.0000.0	sample case GESIS NRG 5x2,5+5x4MM ²	gesis® NRG sample case 5G2,5 and 5G4 mm ² ; contains feed-in and tapping gesis® NRG BASIC and DIMM, flat cable 5G2,5 mm ² PVC pastel blue, flat cable 5G4 mm ² halogenfree green, end caps, screw driver TX10.

Fits with

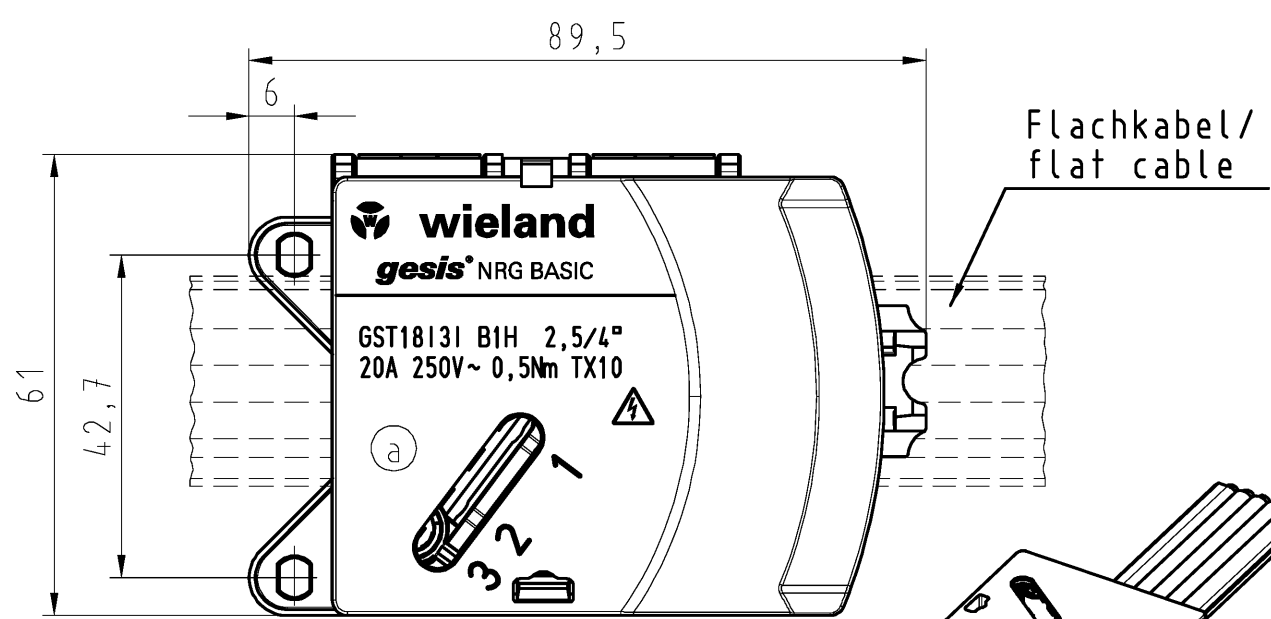
Commercial Art.No.:	Article-type description:	Description:
00.712.0303.1	flat cable 5G2,5MM ² PVC SW	gesis® NRG BASIC flat cable; mains 5G2.5; 20 A; 0.6/1 kV; PVC CPR class Eca; color: black.
00.712.0303.7	flat cable 5G2,5MM ² PVC GN	gesis® NRG BASIC flat cable; mains 5G2.5; 20 A; 0.6/1 kV; PVC CPR class Eca; color: green
00.712.0323.7	flat cable 5G2,5+2x1,5 PVC SC	gesis® NRG BASIC+KNX flat cable; mains 5G2.5; 20 A; 0.6/1 kV; bus 2X1.5; 3 A; 50 V; shielded; PVC CPR class Eca; color: green.
00.712.1323.1	flat cable 5G2,5+2x1,5 PVC OS	gesis® NRG BASIC+SIGNAL flat cable; mains 5G2.5; 20 A; 0.6/1 kV; bus 2X1.5; 6 A; 250 V; unshielded; PVC CPR class Eca; color: black.
00.770.0303.1	flat cable 5G2,5MM ² HF SW B2	gesis® NRG BASIC flat cable; mains 5G2.5; 20 A; 0.6/1 kV; halogen free fire class: B2ca s1a d1 a1; color: black.
00.770.0303.7	flat cable 5G2,5MM ² HF GN B2	gesis® NRG BASIC flat cable; mains 5G2.5; 20 A; 0.6/1 kV; halogen free fire class: B2ca s1a d1 a1; color: green.
00.770.0304.1	flat cable 5G4MM ² HF SW B2	gesis® NRG BASIC flat cable; mains 5G4; 20 A; 0.6/1 kV; halogen free fire class: B2ca s1a d1 a1; color: black.
00.770.0304.7	flat cable 5G4MM ² HF GN B2	gesis® NRG BASIC flat cable; mains 5G4; 20 A; 0.6/1 kV; halogen free fire class: B2ca s1a d1 a1; color: green.
00.770.0323.7	flat cable 5G2,5+2x1,5 HF SC	gesis® NRG BASIC+KNX flat cable; mains 5G2.5; 20 A; 0.6/1 kV; bus 2X1.5; 3 A; 50 V; shielded; halogen free fire class: B2ca s1a d1 a1; color: green.

00.770.0324.7	flat cable 5G4+2x1,5 HF SC	geis® NRG BASIC+KNX flat cable; mains 5G4; 20 A; 0.6/1 kV; bus 2X1.5; 3 A; 50 V; shielded; halogen free fire class: B2ca s1a d1 a1; color: green.
00.770.1323.1	flat cable 5G2,5+2x1,5 HF OS B2	geis® NRG BASIC+SIGNAL flat cable; mains 5G2.5; 20 A; 0.6/1 kV; bus 2X1.5; 6 A; 250 V; unshielded; halogen free fire class: B2ca s1a d1 a1; color: black.
00.770.1324.1	flat cable 5G4+2x1,5 HF OS B2	geis® NRG BASIC+SIGNAL flat cable; mains 5G4; 20 A; 0.6/1 kV; bus 2X1.5; 6 A; 250 V; unshielded; halogen free fire class: B2ca s1a d1 a1; color: black.
00.710.0303.1	flat cable 5G2,5MM ² HF SW	geis® NRG BASIC flat cable; mains 5G2.5; 20 A; 0.6/1 kV; halogen free CPR class Eca; color: black.
00.710.0304.1	flat cable 5G4MM ² HF SW	geis® NRG BASIC flat cable; mains 5G4; 20 A; 0.6/1 kV; halogen free CPR class Eca; color: black.
00.710.0323.7	flat cable 5G2,5+2x1,5 HF SC	geis® NRG BASIC+KNX flat cable; mains 5G2.5; 20 A; 0.6/1 kV; bus 2X1.5; 3 A; 50 V; shielded; halogen free CPR class Eca; color: green.
00.710.0324.7	flat cable 5G4+2x1,5 HF SC	geis® NRG BASIC+KNX flat cable; mains 5G4; 20 A; 0.6/1 kV; bus 2X1.5; 3 A; 50 V; shielded; halogen free CPR class Eca; color: green.
00.710.1323.1	flat cable 5G2,5+2x1,5 HF OS	geis® NRG BASIC+SIGNAL flat cable; mains 5G2.5; 20 A; 0.6/1 kV; bus 2X1.5; 6 A; 250 V; unshielded; halogen free CPR class Eca; color: black.
00.710.1324.1	flat cable 5G4+2x1,5 HF OS	geis® NRG BASIC+SIGNAL flat cable; mains 5G4; 20 A; 0.6/1 kV; bus 2X1.5; 6 A; 250 V; unshielded; halogen free CPR class Eca; color: black.

These dimensions will be especially checked at delivery
 Only inspection dimensions
 With /E marked dimensions are only valid for internal use



Diese Maße werden bei Abnahme besonders geprüft
 Ausschließlich Prüfmaße
 Mit /E gekennzeichnete Maße sind nur für interne Zwecke gültig



Weitergabe sowie Vervielfältigung dieses Dokuments, Verwertung und Mitteilung seines Inhalts sind verboten, soweit nicht ausdrücklich gestattet. Die Reproduktion, Distribution und Utilization of this document as well as the communication of its contents to others without express authorization is prohibited.

Tolerierung Size ISO 14405(E)/Tolerance system Size ISO 14405(E).
 (This ISO-standard describes the envelope principle. According to the envelope principle the deviations of form and parallelism are limited by the size tolerances).

ja/yes Stoffverbots- und Deklarationsliste nach WN 5020.010 ist einzuhalten.
 Conformity with Wieland document WN 5020.010 e (list of prohibited / declarable hazardous substances) to be declared!

Freitoleranz nach
 General tolerance

CAD - Zeichnung, keine manuellen Änderungen
 CAD - drawing, no manual modifications allowed

1.Verwendung:
 First Use: -

Blatt: 1 von 1
 Sheet: of

	/		Werkstoff/Material	2015	Tag/Date	Name	Zeichnung Nr./Drawing No.	Index
	/		Farbe/colour: schwarz/black	gezeichnet drawn	21.01.	Ritter		
	/	Maßstab/Scale 1:1		geprüft checked	-	-	Maße in mm/Dimensions are in mm	
	/		Vol.	mm³	OfI./Surf.	mm²		
	/			Type	Benennung/Title			
a	13.05.2015/		wieland	GST18131	BUCHSENTEIL_PARALLEL			
Index	Datum / Blatt Date / Sheet			www.wieland-electric.com				
Änderung/Revision				3-polig für Flachbandleitung female connector, 3 pole for flat cable				