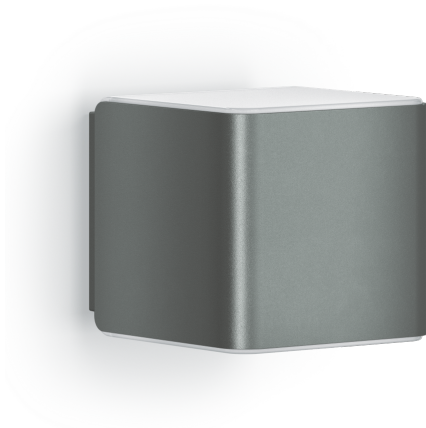


Sensor-switched LED outdoor light

# L 840 SC

Anthracite  
EAN 4007841 055530  
Article number 055530



LED

30 years (Ø 4,5h / day)

3000 K

3000K warm-white



intelligent high frequency sensor 160°



1 - 5 m



IP44



2 - 2000 lux



5 sec - 60 min



Light source not exchangeable



Control gear not exchangeable



soft light start

## Function description

Digital. Interconnected. Intelligent. The Cube series captivates with a classy look and embellishes any building. With concealed 160° iHF sensor (5 m reach) that only responds to human movement. Night-light function, soft light start and 4-hour manual override (3000 K). Wireless interconnection via Bluetooth, any chosen settings via STEINEL app. Three design options. Available in anthracite, silver and black.

## Technical specifications

Dimensions (L x W x H)	134 x 110 x 110 mm
With lamp	Yes, STEINEL LED system
Manufacturer's Warranty	3 years
Settings via	Bluetooth, App, Smartphone
With remote control	No
Version	Anthracite
PU1, EAN	4007841055530
Application, place	Outdoors
Application, room	outdoors, garden, front door, courtyard & driveway, all round the building, terrace / balcony
Colour	Anthracite
includes sheet of self-adhesive numbers	No
Installation site	wall
Impact resistance	IK03
IP-rating	IP44
Protection class	II

Photo-cell controller	Yes
Luminous flux total product	319 lm
Measured luminous flux (360°)	319 lm
Total product efficiency	35 lm/W
Colour temperature	3000 K
Lamp	LED cannot be replaced
LED life expectancy (max. °C)	50000 h
Service life LED L70B50 (25°)	> 60000 h
Base	without
LED cooling system	Passive Thermo Control
Soft light start	Yes
Continuous light	selectable, 4h
Functions	Motions sensor, Selecting programmed lighting scenarios, Lighting scenario, Night economy mode
Twilight setting	2 - 2000 lx
Time setting	5 s - 60 Min.

<https://www.steinel.de>

Subject to technical modifications

06.2023 Page 1 from 4

Sensor-switched LED outdoor light

# L 840 SC

Anthracite

EAN 4007841 055530

Article number 055530



## Technical specifications

Ambient temperature	-20 – 40 °C
Housing material	Plastic
Cover material	Plastic, opal
Mains power supply	220 – 240 V / 50 – 60 Hz
Output	9,1 W
Mounting height max.	2,50 m
Slave modeselectable	Yes
Capability of masking out individual segments	Yes
Electronic scalability	Yes
Mechanical scalability	Yes
Reach, detail	Detection zone adjustable on 2 axes
Reach, radial	r = 5 m (35 m <sup>2</sup> )
Reach, tangential	r = 5 m (35 m <sup>2</sup> )

Basic light level function	Yes
Basic light level function time	10/30 min, all night
Main light adjustable	10 - 100 %
Twilight setting TEACH	Yes
Interconnection	Yes
Basic light level function in per cent	10 – 50 %
Basic light level function percentage, from	10 %
Basic light level function percentage, up to	50 %
Interconnection via	Bluetooth Mesh Connect
Colour Rendering Index CRI	= 82
Optimum mounting height	2 m
Detection angle	160 °

Sensor-switched LED outdoor light

# L 840 SC

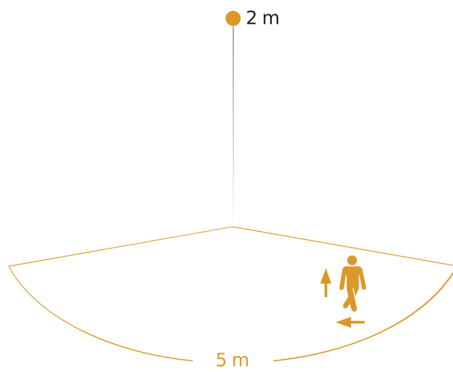
Anthracite

EAN 4007841 055530

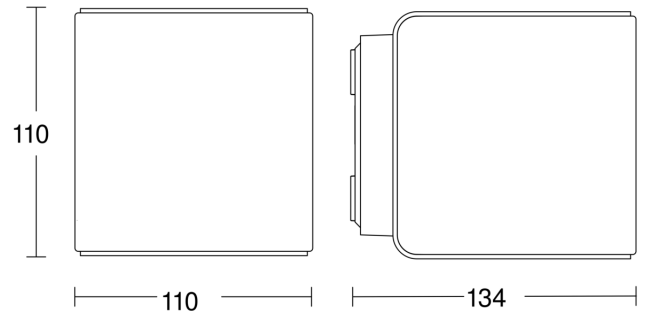
Article number 055530



## Detection Zone

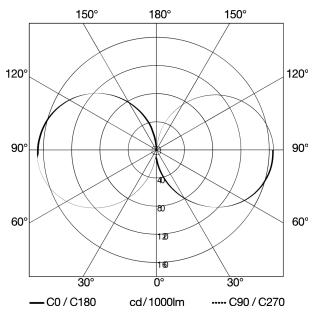


## Dimension Drawing



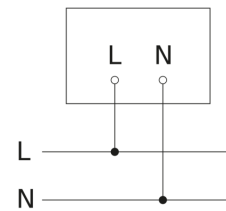
Possible mounting height: 1,80 m - 2,50 m  
Orange: radial and tangential

## Light Distribution Curve



Output	9,1 W
With lamp	Yes, STEINEL LED system
Lamp	LED cannot be replaced
Measured luminous flux (360°)	319 lm
Colour temperature	3000 K
Colour Rendering Index	80-89
LED life expectancy (max. °C)	50000 h
LED cooling system	Passive Thermo Control

## Master/slave interconnection circuit diagram



Sensor-switched LED outdoor light

# L 840 SC

Anthracite

EAN 4007841 055530

Article number 055530



## Master/master interconnection circuit diagram

