

# WMK ARCA 10MID



Sample image

**Order symbol :** WMK ARCA 10MID

**Product nr :** 8120904

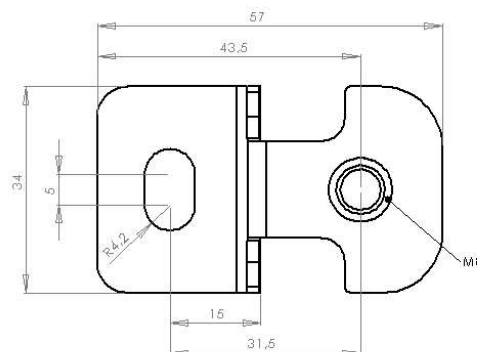
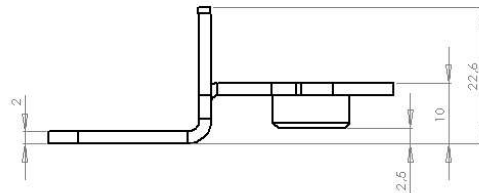
**Description :** Wall mounting lugs set for 5070-8060

**Remarks :** Adds 10 mm between wall and cabinet

**EAN :** 6418074090164

**EI. number :**

- Denmark : 8212052479



<b>Dimensions :</b>	<b>Height</b>	<b>Width</b>	<b>Depth</b>
---------------------	---------------	--------------	--------------

**Materials :**

Material : Polycarbonate

**Ratings :**

electrical\_insulation : Not insulated

UV resistance : -