

# Measurement devices

## HMT electro-mechanical hour meters

1



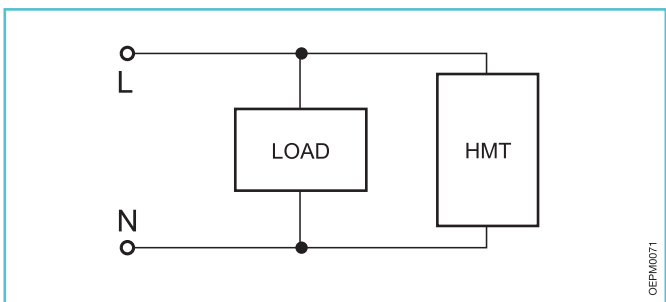
Equipped with 7-digit indicator (99.999,99) and available in two modules. They cannot be reset.

Code	Type	Description
<b>HMT hour meter</b>		
EG 401 2	HMT 1/24	24 V a.c.
EG 402 0	HMT 1/110	110 V a.c.
EG 403 8	HMT 1/230	230 V a.c.
EG 107 5	HMT 11	230 V a.c. double hour meter



### Technical characteristics

<b>Rated voltage Un</b>	[V]	a.c. 24; a.c. 110; a.c. 230; d.c. 12...48
<b>Displayed digits (in hours)</b>	[n°]	99999.9 (for HMT1 and HMT11)
<b>Accuracy class</b>	[%]	0.5
<b>Frequency</b>	[Hz]	50
<b>Power consumption</b>	[W]	1.1...2.2
<b>Modules</b>	[n°]	2



CEPRM0071