

# SMALL COMPACT THERMOSTAT

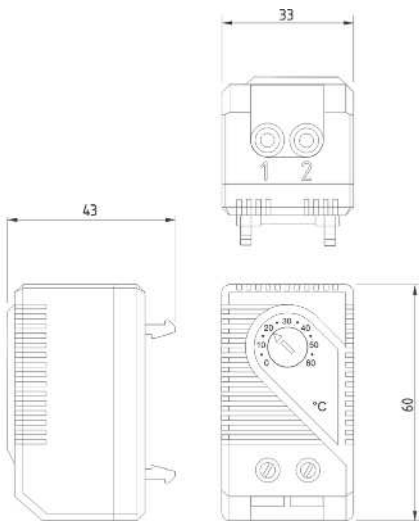
## KTO 011 / KTS 011



- > Large setting range
- > Simple to mount
- > Small size
- > High switching performance

**KTO 011:** Thermostat (normally closed); contact breaker for regulating heaters. The contact opens when temperature is rising.

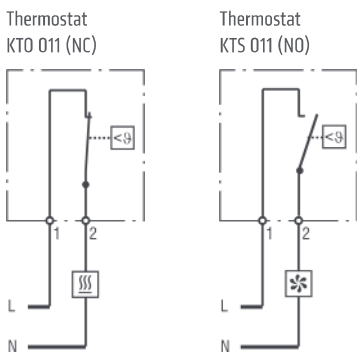
**KTS 011:** Thermostat (normally open); contact maker for regulating of filter fans and heat exchangers or for switching signal devices when temperature limit has been exceeded. The contact closes when temperature is rising.



### TECHNICAL DATA

Switch temperature difference	7K (±4K tolerance)
Sensor element	thermostatic bimetal
Contact type	snap-action contact
Service life	> 100,000 cycles
Max. switching capacity	250VAC, 10 (2) A / 120VAC, 15 (2) A DC 30W at 24VDC to 72VDC
Max. inrush current	AC 16A for 10 sec.
Connection	2-pole terminal, clamping torque 0.5Nm max.: rigid wire 2.5mm <sup>2</sup> (AWG 14) stranded wire <sup>1</sup> 1.5mm <sup>2</sup> (AWG 16)
Mounting	clip for 35mm DIN rail, EN 60715
Casing	plastic according to UL94 V-0, light grey
Dimensions	60 x 33 x 43mm
Weight	approx. 40g
Fitting position	variable
Operating/Storage temperature	-45 to +80°C (-49 to +176°F)
Operating/Storage humidity	max. 90% RH (non-condensing)
Protection type	IP20

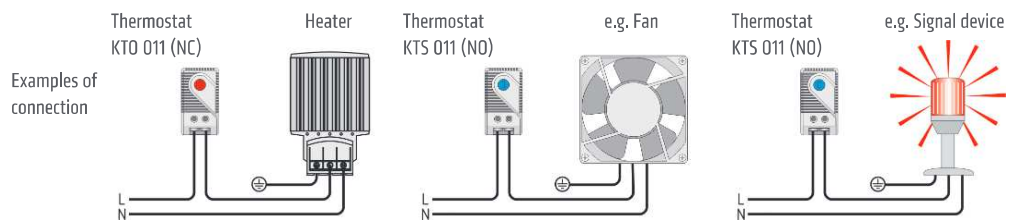
#### Connection diagrams



- Heater
- Filter fan, Cooling equipment, Signal device

<sup>1</sup> When connecting with wires, wire end ferrules must be used.

**Important note:** The contact system of the regulator is subjected to environmental influences, thus the contact resistance may change. This can lead to a voltage drop and/or self-heating of the contacts.



Setting range	Art. No. Contact breaker (NC)	Art. No. Contact maker (NO)	Approvals		
0 to +60°C	01140.0-00	01141.0-00	VDE	-	EAC
-10 to +50°C	01142.0-00	01143.0-00	VDE	UL File No. E164102	EAC
+20 to +80°C	01159.0-00	01158.0-00	VDE	UL File No. E164102	CSA EAC
+32 to +140°F	01140.9-00	01141.9-00	VDE	UL File No. E164102	CSA EAC
+14 to +122°F	01142.9-00	01143.9-00	VDE	UL File No. E164102	CSA EAC
0 to +60°C	01146.9-00	01147.9-00	VDE	UL File No. E164102	CSA EAC