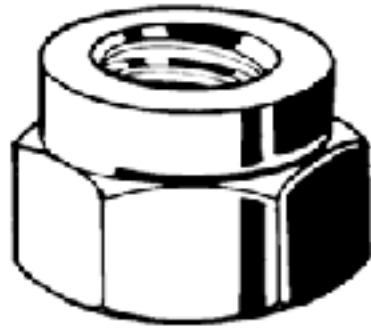
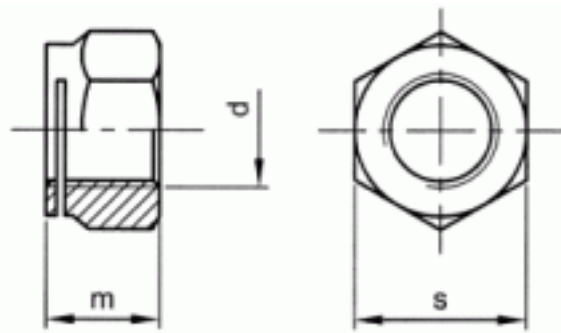


72130100170

THERMAG EXHAUST NT M10SLW17



Brand	THERMAG
UBB Code	950355276540
UNSPSC Code	31161727
EAN Code	8715492912701
Brand	THERMAG
Thread	Metric thread
Material	Steel
Surface treatment	Copper plated
Driving features	hexagon
Extra info	prevailing torque type



d	M10
Packaging (Piece )	100.0



Copyright Fabory Group