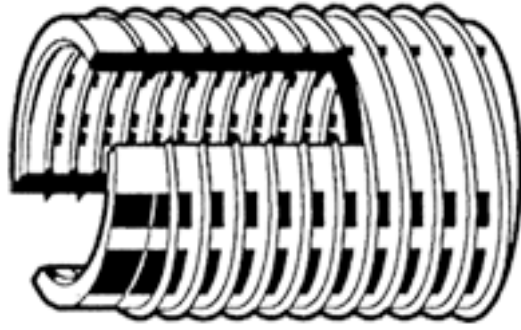
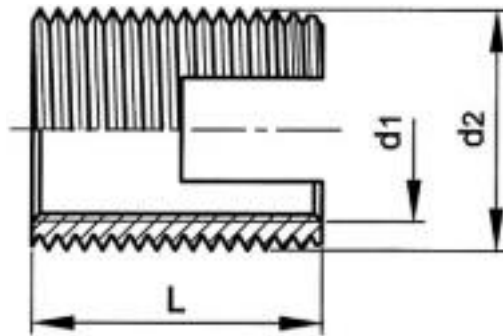


71560080001

STNL C4 THR INS TP302 M8X15



Brand	-
UBB Code	950355788635
UNSPSC Code	31162802
EAN Code	8715492910233
Type	302
Thread	Metric thread
Material	Stainless steel
Material technical	C4



Drill depth (min.)	18
P (d2)	1,5
d2	12
P (d1)	1,25
L	15
d	M8
Packaging (Piece )	25.0



Copyright Fabory Group