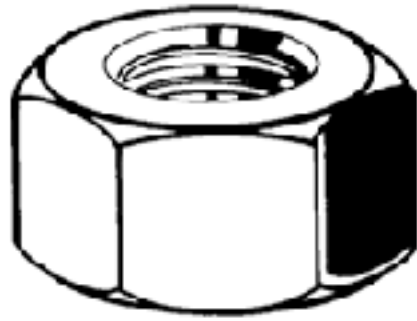


56200100001

~D934 PA 6.6 HX NT WHT M10



Brand	-
UBB Code	950355238441
UNSPSC Code	31161727
EAN Code	8715492861030
Driving features	hexagon
Class	PA 6.6
Material	Plastic
Material technical	Polyamide (nylon)
Colour	White
Thread	Metric thread



d	M10
Packaging (Piece)	50.0



Copyright Fabory Group