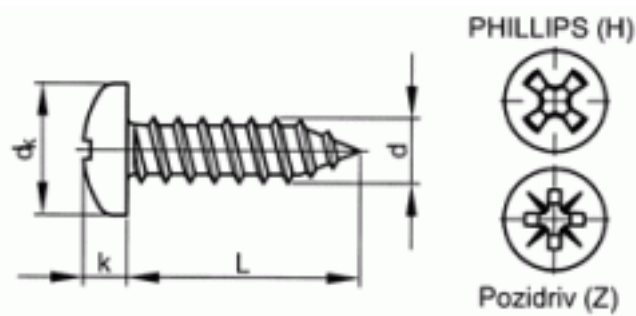


55660039019

D7981CH STNL A4 PAN TAPSCR PH ST3,9X19MM



Brand	-
UBB Code	950352561068
UNSPSC Code	31161507
EAN Code	8715492350534
Head shape	pan head
Thread	Self tapping thread
Material	Stainless steel
Material technical	A4
Driving features	Phillips
DIN	7981 C



L	19
d	3,9
Packaging (Piece )	200.0



Copyright Fabory Group