

## Focus M41

Single lever kitchen mixer 240, pull-out spray, 2jet

Surfaces: **Stainless Steel Finish** Article Number: **31815800**



### Description

#### product features

- ComfortZone 240
- projection: 220 mm
- spout height: 225 mm
- swivel range adjustable in 2 steps to 110° or 150°
- laminar spray, shower spray
- lockable shower spray, spray returns through pressing spray diverter and spray returns automatically through handle closing
- MagFit magnetic shower support
- quick connect hose
- connection dimension: DN15
- maximum flow rate at 3 bar: 10 l/min
- ceramic cartridge
- connection type: G 3/8 connections
- temperature limitation adjustable
- integrated non-return valve
- suitable for continuous flow water heaters
- extension length up to 50 cm

### Technology



### Design awards



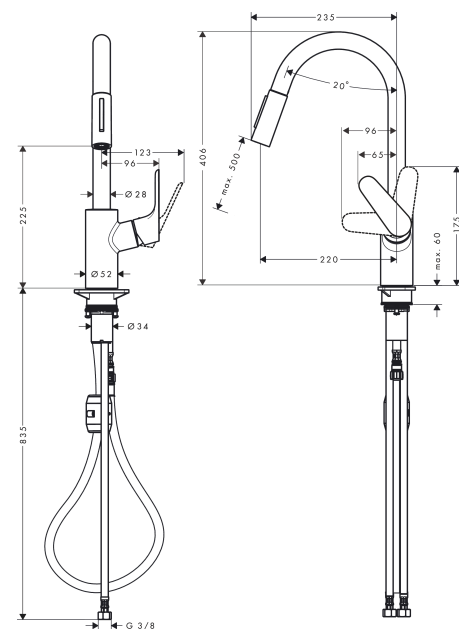
### Certificates



### Product image



### Scale drawing



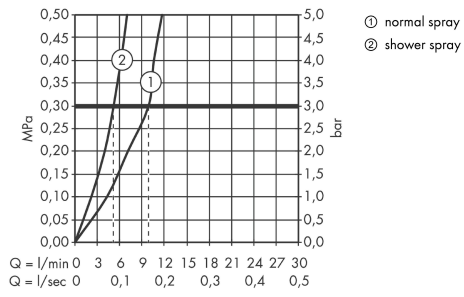
**Focus M41**

**Single lever kitchen mixer 240, pull-out spray, 2jet**

Surfaces: **Stainless Steel Finish** Article Number: **31815800**



**Flowchart**





## Focus M41

Single lever kitchen mixer 240, pull-out spray, 2jet

Surfaces: **Stainless Steel Finish** Article Number: **31815800**



### Spare part list

Year of production: >08/19

Pos.	Description	Article Number	Price	PU
1	spout cpl.	95562800	€ 162,08	1
2	nut	92755000	€ 18,33	1
3	O-ring 11x2	98127000	€ 3,21	1
4	filter	97735000	€ 3,21	1
5	handspray	98459800	€ 162,08	1
6	set of non return valves DW 15	97350000	€ 18,33	1
7	O-ring 18x1,5	98231000	€ 3,21	1
8	aerator laminar M22x1 (15 l/min)	95909000	€ 44,63	1
9	O-ring 20x1	98140000	€ 3,21	1
10	service tool	95910000	€ 8,45	1
11	set of lever collars	93428000	€ 3,21	1
12	handle	98460800	€ 86,16	1
13	screw cover	96338000	€ 3,21	1
14	flange	95498800	€ 22,37	1
15	O-Ring 32x2	98193000	€ 3,21	1
16	nut	97209000	€ 13,92	1
17	cartridge, assy	92730000	€ 57,12	1
18	locking screw for handle	95140000	€ 5,24	1
19	seal	95008000	€ 8,45	1
20	support	97523000	€ 5,24	1
21	fixing set (special)	93253000	€ 18,33	1
22	weight	92500000	€ 35,94	1
23	hose 1,50 m	95507000	€ 70,57	1
24	connection hose 600 mm M10x1	95561000	€ 22,37	1
25	O-ring 8x1,75	97827000	€ 3,21	1
26	connection hose 900 mm M8x0,75 G3/8	96316000	€ 35,94	1
27	O-ring 7x1,5	98422000	€ 3,21	1